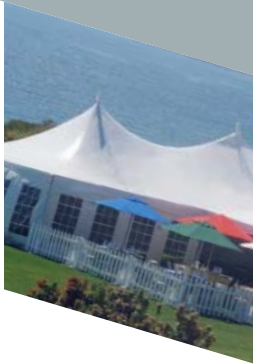
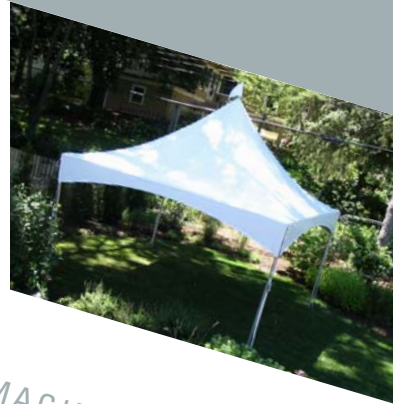


INSTALL INSTRUCTIONS



If YOU can IMAGINE it... WE can BUILD it

FESTIVAL™

WARNING!

The safe installation and use of commercial tenting products can vary from site to site and during varying climactic conditions. Careful consideration should be paid to any installation during windy conditions and shall be monitored throughout the duration of the installation. Periodic maintenance and monitoring of the installation by the installer is required. Techniques other than those specified in this document may be required during these types of conditions.

Users and installers shall indemnify and hold harmless Aztec Tent for any claim resulting from the improper installation and/or maintenance of this unit.

Soil conditions also vary from site to site. The included anchoring package for this tent may need to be supplemented with alternate anchoring during windy conditions and in areas with questionable soil holding power. Full product engineering may be available.

NOTICE

This tent product is not intended to be used as a shelter from severe weather. Aztec assumes no liability for such use. An evacuation plan for the area covered within this tented space is imperative and shall be thoroughly posted for all users and potential occupants of the tent. Severe weather including electrical storm systems, moderate to severe wind, heavy rains, snow, or any condition that raises any doubt to the structural integrity of the tent are immediate signs that an evacuation is necessary. Severe bodily injury and/or death can occur.

The installation of electrical, plumbing, lighting, appliances and/or HVAC equipment are not covered within this manual. Users/Installers shall follow local code requirements for the installation of these items using certified personnel. Aztec Tents shall be indemnified and held harmless from any such use or injury resulting from its use.

IMPORTANT SAFETY INFORMATION

Proper personnel safety equipment should be worn at all times during the installation of any tenting products.

Hard Hat

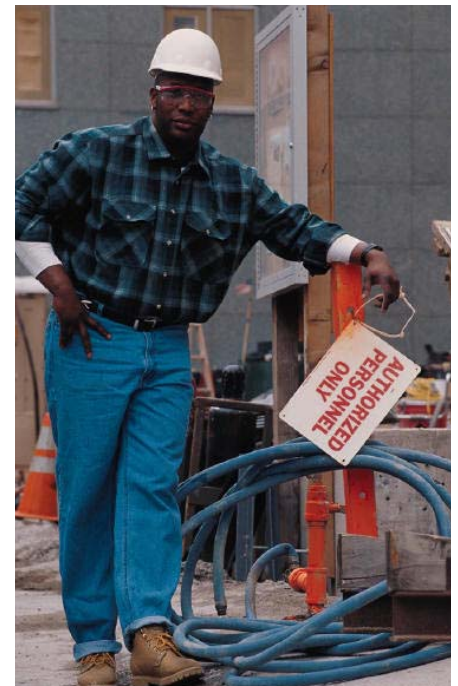
Safety Glasses

Work Gloves

Long Pants

Steel Toe Boots

OSHA Approved Harness and restraint system (for off ground activities)



Thank you for your recent purchase from Aztec Tents. The following procedures will help you through your installation. If you ever run into problems with the installation of your Aztec Tent give one of our sales/service professionals a call. A complete listing of sales, service, and operational support is always available on our website at www.aztectents.com.

Contents

10'x/15'x/20'x Install Instructions	4-5
30'x Install Instructions	6-9
40'x Install Instructions	10-13
Diagrams	14-29
Replacement Parts	30
Parts Photos	31

Questions? Call us.

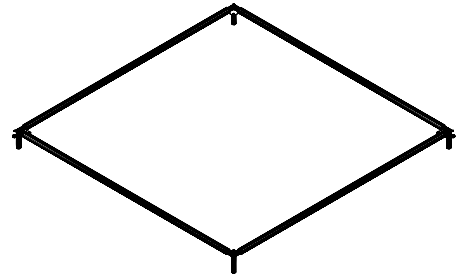
Aztec Tents

2665 Columbia Street
Torrance, CA 90503 USA
Direct (310) 347-3010
Toll Free (800) 228-3687
Fax (310) 381-0722

Installation-

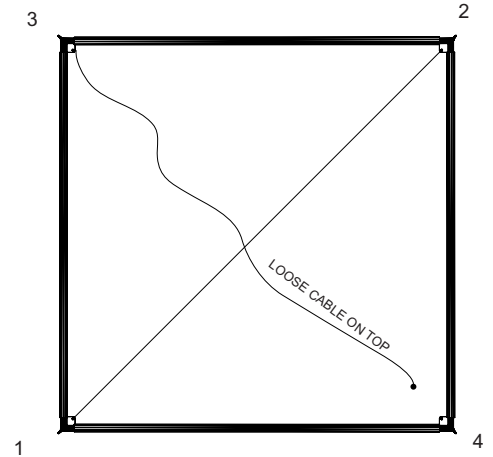
Step 1:

Lay out the parts of the tent in place so they are easy to access. See the specific diagram for your size of tent in the pages following the instructions. Connect the perimeter pipes to the corner fittings and use the pins to secure the connection. The perimeter pipe is 9'4" long for the 10x10, 14'4" long for the 15x15, and 19'4" for the 20x20 Festival Frame Tent.



Step 2:

Connect the cables to stretch across to the opposite corner fitting. Start at position one with the cable connected and stretch the cable to corner 2 marked on the diagram to the right. Follow by attaching the other cross cable to corner #3 and pull toward corner #4



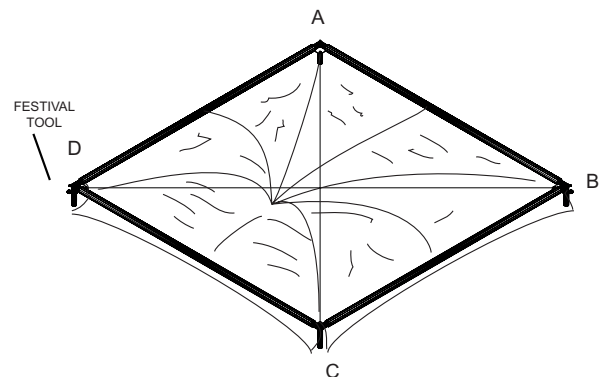
Step 3:

As the cables are made to very exact specifications you will need to lift corner #4 off the ground approximately 24". By lifting this corner you will close the gap and distance between corners 3 and 4 allowing the cable to slip over the support nub on the fitting. When you lower the frame back to the ground the cables will become very tight.



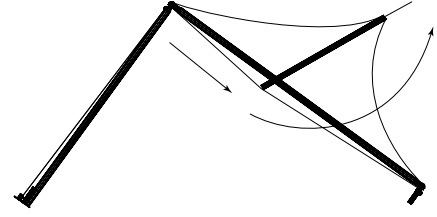
Step 4:

Cover the ground and the cables with a ground cloth. Unfold the tent top and pull over the frame. Each corner of the tent fabric has a thick webbing loop that needs to be pulled tight over the nub on the exterior of the corner fitting.



Step 5:

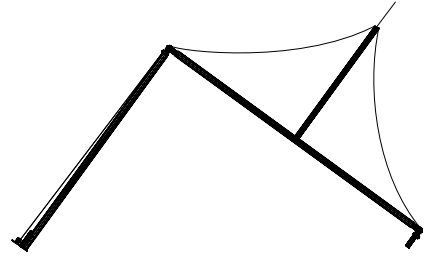
Raise half the tent and install and pin the leg to the corner fittings and connect and pin the baseplate to the bottom of each leg. Now that you can gain access under the tent top, slide the pin of the mast through the crown at the peak of the fabric and place the roller wheel on the bottom of the mast on the top cable.



Step 6:

Push the bottom of the mast toward the point where the two cables cross. Once the mast is vertical push the bottom cable down so it snaps into the groove on the bottom mast connection.

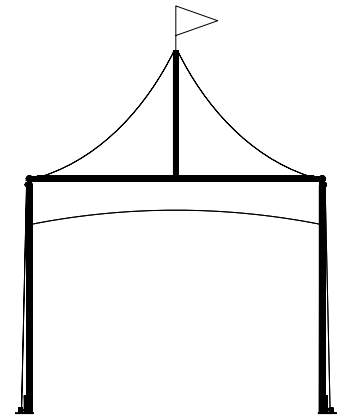
Connect the Bottom Mast Caps to the bottom of the mast to secure it.



Step 7:

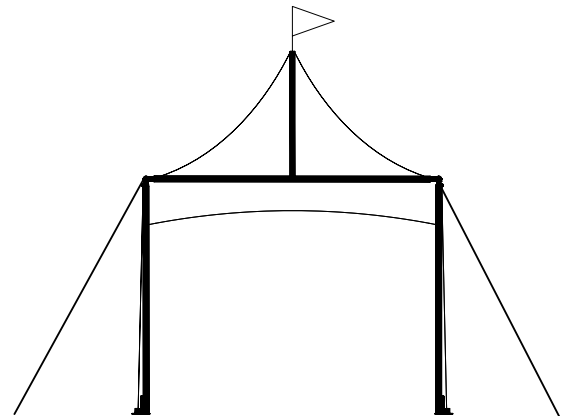
Lift the other side of the tent and install and pin to the corner fittings and baseplate connectors.

Using the included rope tensioners connect the spring snap to the ring on the valance tensioning rope. The rope tensioner is designed for use for 7', 8' and 10' legs and therefore a loop needs to be tied at the opposite end to just reach the baseplate. Once the spring snap is connected and the loop is over the nub on the Qwik Base Plate you can apply even tension to tighten the valance tensioning system.



Step 8:

For the highest performance in windy conditions you should anchor the baseplates as well as with tiedowns installed at a 45 degree angle.

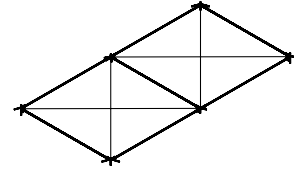


Installation- 30' Wide

Step 1:

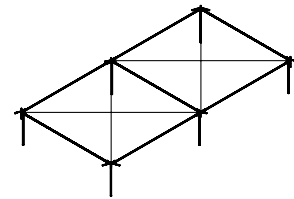
Assemble (first) square of the "Aerial Mast Sub Frame" which consists of (4) 14'-4" Jumbo Tubes, (2) Festival Intermediate Fittings, (2) Festival Cross Tees, (2) Diagonal Cables and (10) Festival Pins. Assemble and Pin the four sides. Attach diagonal cables. Lift the last corner of the square assembly to enable attachment of cable over last hook. Lay frame down flat on the ground. Assemble (second) square of the "Aerial Mast Sub Frame" to the first square above which adds (3) Jumbo Tubes, (2) Festival Intermediates, (2) Cables and (6) Festival Pins. Assemble and Pin the three additional sides forming (second) square. Attach diagonal cables. Lift last corner (this must be one of two added / un-tensioned corners) of Square Two assembly to enable attachment of cable over last hook. Lay this added frame down flat on the ground.

Important Note: The bottom diagonal cables must be oriented parallel on all frames with multiple masts.



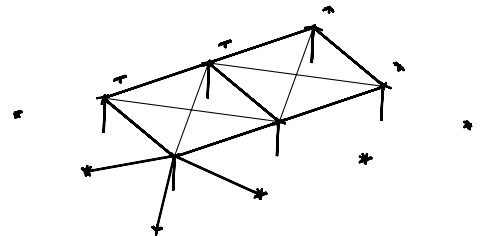
Step 2:

Lift along one of the long sides of the "Aerial Mast Sub Frame" by tipping the "Aerial Mast Sub Frame" up on it's other long side. Place and Pin the Assembly Legs (4'6" pipe) onto the Fitting stubs provided under the Festival Cross Tees and the Festival Intermediates. Lift along the opposite long side by tipping the "Aerial Mast Sub Frame" up on Assembly Legs to place remaining Assembly Legs.



Step 3:

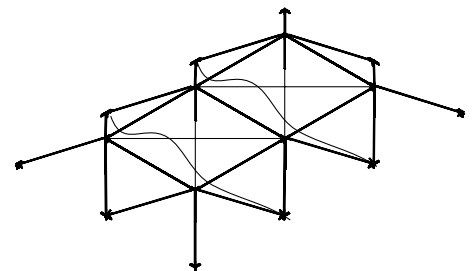
Layout the perimeter fittings around the tent including corner fittings and Jumbo Special Tee Fittings. Starting from one corner of the subframe connect and pin the three 10'6" hip brace pipes into place. Also connect and pin these pipes to the corner fitting and the Jumbo Special Tee Fittings.



Step 4:

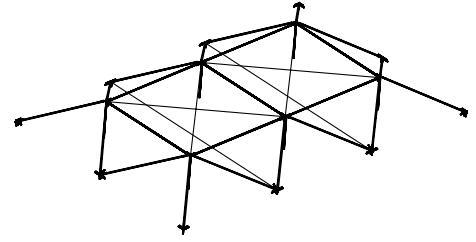
Continue working around the frame from this corner connecting all of the 10'6" brace piping that connects the upper "subframe" to the perimeter framing. At this time also loop the 30' Cross Cable over the lateral arm of the Jumbo Special Tee Fitting and stretch the cable across the tent to the opposing Jumbo Special Tee Fitting and once again loop over the lateral arm of the opposing Jumbo Special Tee Fitting.

Once installed this cable will restrain the frame from spreading past its intended 30' width.



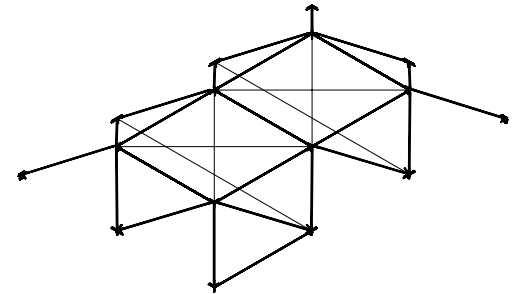
Step 5:

To successfully connect the 30' Cross Cable you will most likely need to lift the frame slightly in the center to relieve the downward pressure of the frame. Once a slight amount of lift is put on the center of the frame the cable will slip over the opposing Jumbo Special Tee Fitting.



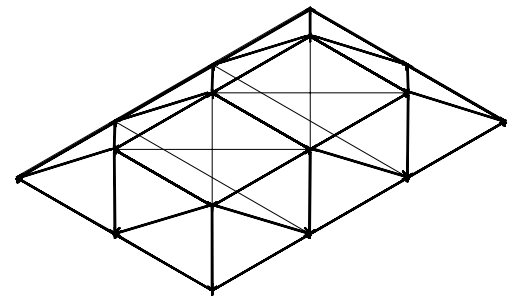
Step 6:

Start at one Jumbo Special Tee Fitting and begin to assemble the perimeter portion of the frame. Ideally, start from the center of each side and work your way connecting and pinning the 14'4" perimeter pipes until you reach the corner.



Step 7:

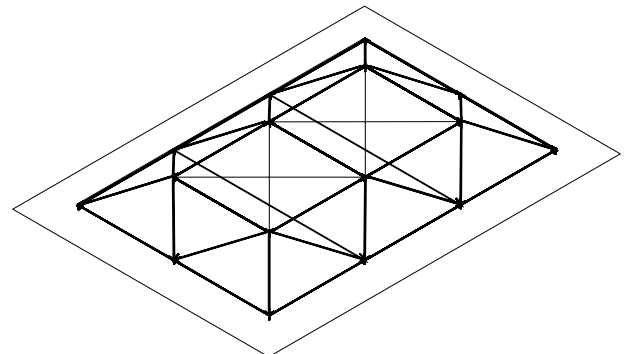
Once your perimeter framing is installed up to the corners, you should un-pin the Corner Fitting connection to the 10'6" Hip brace and slide the Corner Fitting back slightly so you are able to slide on both adjacent 14'4" perimeter pipes and the 10'6" Hip Brace pipe. Once all three pipes are slid over the fitting, you will be easily able to install the pins.



Step 8:

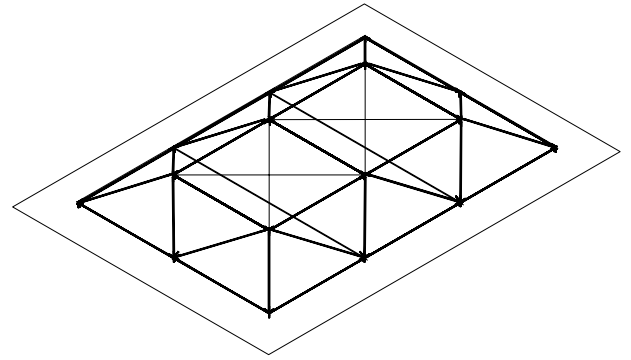
Lay out a ground cloth at this time to prevent damage to the tent top as you unfold it.

****Dragging the top fabric on the ground, or pulling hard over frame parts can damage, tear, burn, and scratch the fabric. Be very careful with your fabric.**



Step 9:

Unfold the tent sections on the drop cloth and carefully pull them over the frame. The Festival tops are available in both 1pc "Fixed" sizes and multiple sectioned expandable sections. If you are using a 1pc "Fixed" top you will want to pull the fabric tight over the frame and secure the festival corner loops over the corner fittings using the festival tool. For expandable top users, please continue to step 10.



Step 10:

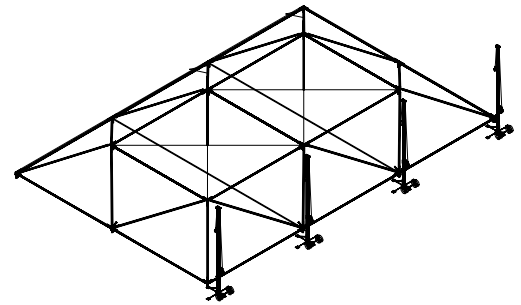
Expandable sections connect to each other with a lace/grommet connection and a velcro weather flap. Position the multiple sections over the frame. Starting at the peak of the tent, position the two adjoining peak mast fittings together and position the lace side of the connection on the bottom. Pass the lace webbing through the #2 grommet of the connecting section and pull toward the next grommet. Pass the next lace webbing through the next grommet and also pass through the previous lace loop and pull toward the next grommet. Continue lacing the sections until you reach the last lace/grommet where you will need to tie-off the lace webbing to itself with a double overhand knot. As you work your way down the laceline be sure to connect the velcro weather flap to the adjoining section. Repeat with all other lacelines.



Step 11:

Position your tent jacks next to each perimeter fitting along one side of the tent. Once tent jack (sold separately) must be used at each leg to avoid overstressing the frame members. Connect the jacks securely to each perimeter fitting and begin lifting the frame. At this time you need to remove the 4'6" Assembly Legs

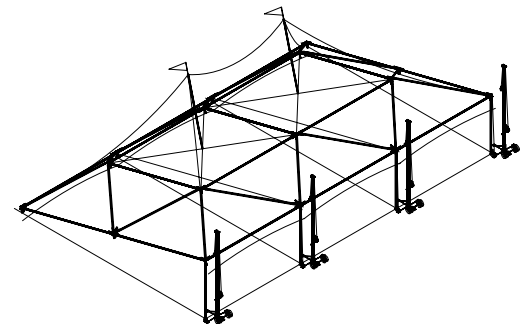
****At no time should a tent jack be left unmanned. The user must remain in control of the jack to keep from tipping over.**



Step 12:

Once the frame is lifted just past the height of the legs you will be able to have a separate crew member slide the leg poles over the fittings and pin into place. Also be sure to install and pin the baseplates at this time. The stake hole and hook should be positioned on the outside of the tent. Lower the frame to sit on the ground.

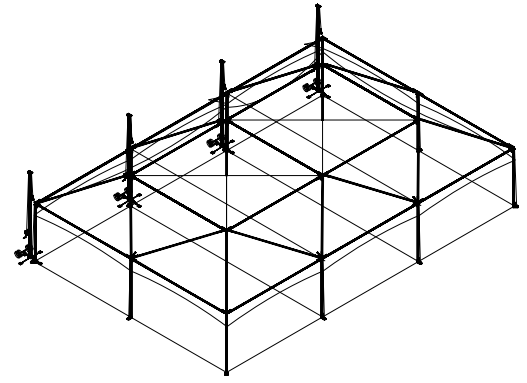
Now that you can gain access under the tent top, slide the pin of the mast through the crown at the peak of the fabric and place the roller wheel (on the bottom of the mast) on the top cable. Push the bottom of the mast toward the point where the two cables cross. Once the mast is vertical push the bottom cable down so it snaps into the groove on the bottom mast connection.



Connect the Bottom Mast Caps to the bottom of the mast to secure it. Continue with other masts.

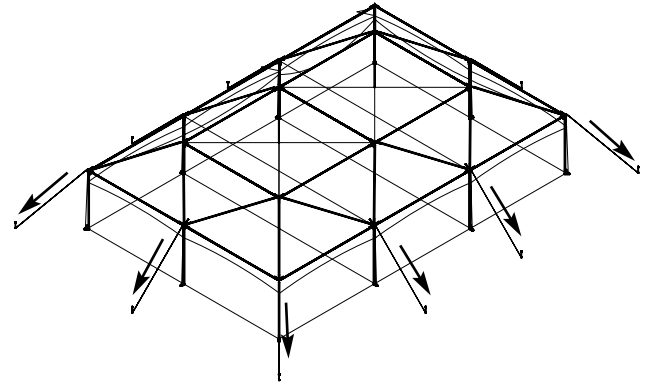
Step 13:

Reposition the tent jacks to the opposite side of the tent. Secure the jacks to the perimeter fittings and raise the opposite side of the tent just past the height of the leg allowing you to install and pin the leg to the perimeter fitting and the baseplate. At this time also install and pin the legs on the 30' end of the tent.



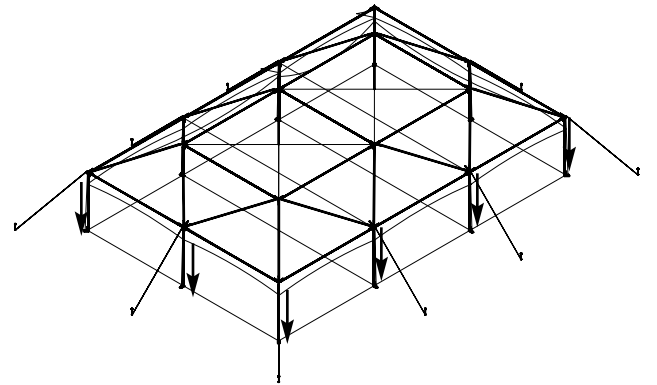
Step 14:

Anchor the tent with the included stakes and 1" In-Line Ratchets. The ratchets should be snapped to the eyebolt at each of the perimeter fittings and preferably the stakes shall be driven through the pear-shaped ring on the In-Line Ratchet. The stakes should be driven straight into the ground at a distance equal to the height of the leg. Once the stakes are driven, engage the ratchets and apply significant tension to the straps.



Step 15:

Using the included ratchet tensioners (included in bag with tent tops) connect the 1" narrow hook to the ring on the valance tensioning rope. The ratchet tensioner is designed for use for 8' and 10' legs. Once the spring snap is connected and the loop is over the nub on the Base Plate you can apply even tension to tighten the valance tensioning system.

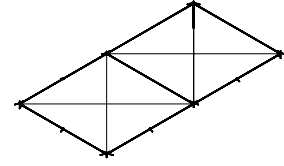


Installation- 40' Wide

Step 1:

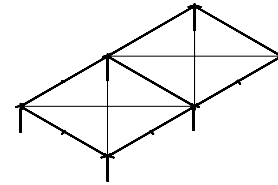
Assemble (first) square of the "Aerial Mast Sub Frame" which consists of (4) 19'-4" Jumbo Tubes, (2) Festival Intermediate Fittings, (2) Festival Cross Tees, (2) Diagonal Cables and (10) Festival Pins. Assemble and Pin the four sides. Attach diagonal cables. Lift the last corner of the square assembly to enable attachment of cable over last hook. Lay frame down flat on the ground. Assemble (second) square of the "Aerial Mast Sub Frame" to the first square above which adds (3) Jumbo Tubes, (2) Festival Intermediates, (2) Cables and (6) Festival Pins. Assemble and Pin the three additional sides forming (second) square. Attach diagonal cables. Lift last corner (this must be one of two added / un-tensioned corners) of Square Two assembly to enable attachment of cable over last hook. Lay this added frame down flat on the ground.

Important Note: The bottom diagonal cables must be oriented parallel on all frames with multiple masts.



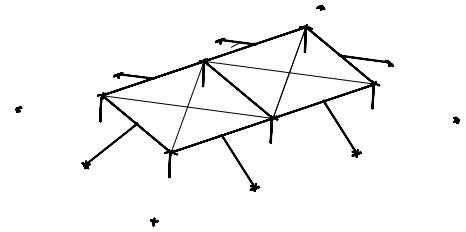
Step 2:

Lift along one of the long sides of the "Aerial Mast Sub Frame" by tipping the "Aerial Mast Sub Frame" up on it's other long side. Place and Pin the Assembly Legs (6'0" pipe) onto the Fitting stubs provided under the Festival Cross Tees and the Festival Intermediates. Lift along the opposite long side by tipping the "Aerial Mast Sub Frame" up on Assembly Legs to place remaining Assembly Legs.



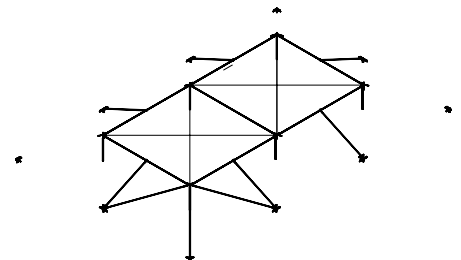
Step 3:

Layout the perimeter fittings around the tent including corner fittings and Jumbo Special Tee Fittings. Starting on the upper subframe connect and bolt the Jumbo Slide Rafter Fittings at the midpoint of each 19'4" Jumbo Pipes and connect and pin the 10'6" brace pipes into place. Also connect and pin these pipes to the Jumbo Special Tee Fittings located on the perimeter.

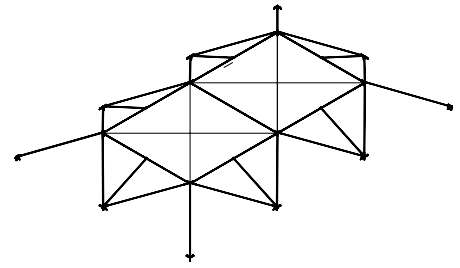


Step 4:

Begin connecting and pinning all of the 14'4" Jumbo pipes around the tent. Always connect and pin to the upper sub frame first and then connect and pin to the perimeter fitting.

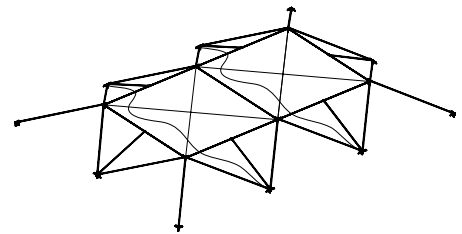


Step 5:
Continue connecting and pinning all of the remaining 14'4" Jumbo support pipes.

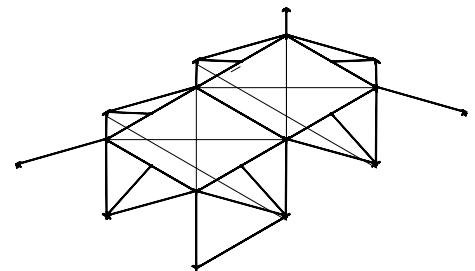


Step 6:
At this time also loop the 40' Cross Cable over the lateral arm of the Jumbo Special Tee Fitting and stretch the cable across the tent to the opposing Jumbo Special Tee Fitting and once again loop over the lateral arm of the opposing Jumbo Special Tee Fitting.

Once installed this cable will restrain the frame from spreading past its intended 40' width.

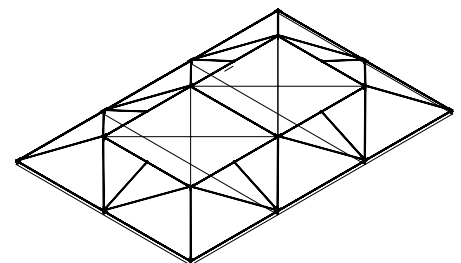


Step 7:
Start at one Jumbo Special Tee Fitting and begin to assemble the perimeter portion of the frame. Ideally, start from the center of each side and work your way connecting and pinning the 19'4" perimeter pipes until you reach the corner.



Step 8:
Once your perimeter framing is installed up to the corners, you should un-pin the Corner Fitting connection to the 14'4" Hip brace and slide the Corner Fitting back slightly so you are able to slide on both adjacent 19'4" perimeter pipes and the 14'4" Hip Brace pipe. Once all three pipes are slid over the fitting, you will be easily able to install the pins.

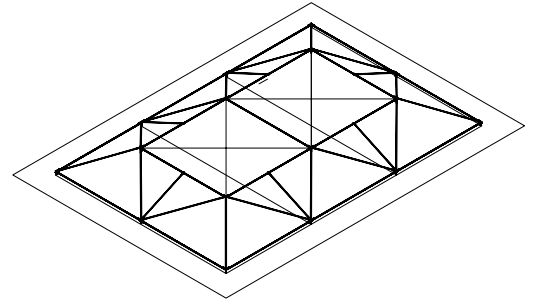
Also now install the 40x Festival Jumbo Truss Cable. This cable is only used when you have multiple subframe extensions (ex. in 40x60's and larger). Attach cables to the Festival Intermediate fittings, install riser pipe and pin to Festival Jumbo Cross Tee and tighten turbuckle.



Step 9:

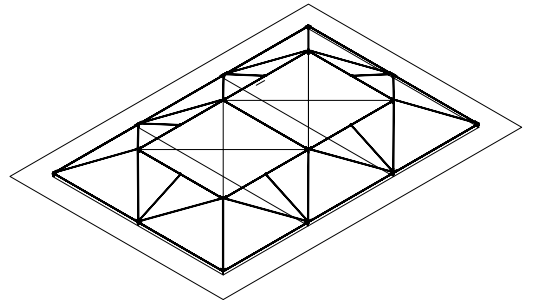
Lay out a ground cloth at this time to prevent damage to the tent top as you unfold it.

****Dragging the top fabric on the ground, or pulling hard over frame parts can damage, tear, burn, and scratch the fabric. Be very careful with your fabric.**



Step 10:

Unfold the tent sections on the drop cloth and carefully pull them over the frame. The Festival tops are available in both 1pc "Fixed" sizes and multiple sectioned expandable sections. If you are using a 1pc "Fixed" top you will want to pull the fabric tight over the frame and secure the festival corner loops over the corner fittings using the festival tool. For expandable top users, please continue to step 10.



Step 11:

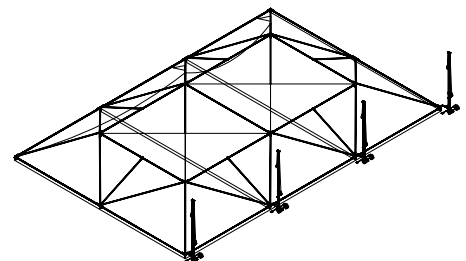
Expandable sections connect to each other with a lace/grommet connection and a velcro weather flap. Position the multiple sections over the frame. Starting at the peak of the tent, position the two adjoining peak mast fittings together and position the lace side of the connection on the bottom. Pass the lace webbing through the #2 grommet of the connecting section and pull toward the next grommet. Pass the next lace webbing through the next grommet and also pass through the previous lace loop and pull toward the next grommet. Continue lacing the sections until you reach the last lace/grommet where you will need to tie-off the lace webbing to itself with a double over-hand knot. As you work your way down the laceline be sure to connect the velcro weather flap to the adjoining section. Repeat with all other lacelines.



Step 11:

Position your tent jacks next to each perimeter fitting along one side of the tent. Once tent jack (sold separately) must be used at each leg to avoid overstressing the frame members. Connect the jacks securely to each perimeter fitting and begin lifting the frame. At this time you need to remove the 6'0" Assembly Legs

****At no time should a tent jack be left unmanned. The user must remain in control of the jack to keep from tipping over.**

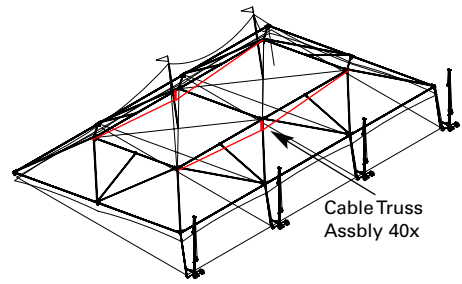


Step 12:

Once the frame is lifted just past the height of the legs you will be able to have a separate crew member slide the leg poles over the fittings and pin into place. Also be sure to install and pin the baseplates at this time. The stake hole and hook should be positioned on the outside of the tent. Lower the frame to sit on the ground.

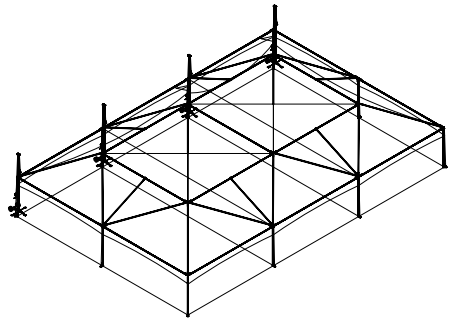
Now that you can gain access under the tent top, slide the pin of the mast through the crown at the peak of the fabric and place the roller wheel (on the bottom of the mast) on the top cable. Push the bottom of the mast toward the point where the two cables cross. Once the mast is vertical push the bottom cable down so it snaps into the groove on the bottom mast connection.

Connect the Bottom Mast Caps to the bottom of the mast to secure it. Continue with other masts. Also now install the 40x Festival Jumbo Truss Cable. This cable is only used when you have multiple subframe extensions (ex. in 40x60's and larger). Attach cables to the Festival Intermediate fittings, install riser pipe and pin to Festival Jumbo Cross Tee and tighten turbuckle.



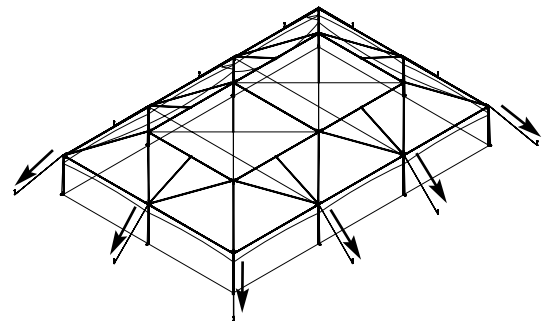
Step 13:

Reposition the tent jacks to the opposite side of the tent. Secure the jacks to the perimeter fittings and raise the opposite side of the tent just past the height of the leg allowing you to install and pin the leg to the perimeter fitting and the baseplate. At this time also install and pin the legs on the 30' end of the tent.



Step 14:

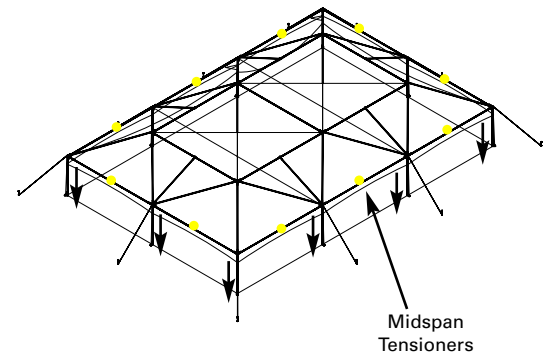
Anchor the tent with the included stakes and 2" In-Line Ratchets. The ratchets should be snapped to the eyebolt at each of the perimeter fittings and preferably the stakes shall be driven through the pear-shaped ring on the In-Line Ratchet. The stakes should be driven straight into the ground at a distance equal to the height of the leg. Once the stakes are driven, engage the ratchets and apply significant tension to the straps.



Step 15:

Using the included ratchet tensioners (included in bag with tent tops) connect the 1" narrow hook to the ring on the valance tensioning rope. The ratchet tensioner is designed for use for 8' and 10' legs. Once the spring snap is connected and the loop is over the nub on the Base Plate you can apply even tension to tighten the valance tensioning system.

Also install the midspan tensioners at the midpoint of the perimeter pipes to the straps located on the unerside of the fabric top.

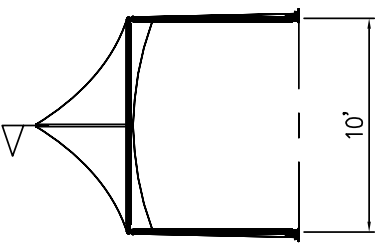


Diagrams

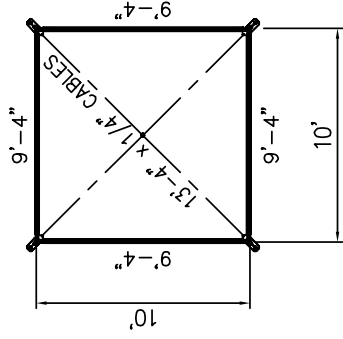
FESTIVAL \10x\10x10		060308 1800	DATE 04/03/03	CM	ENGINEER EJS
PART DESCRIPTION		SIZE	CODE	DRAWING NUMBER	
FESTIVAL / STANDARD		10' W x 10' L FESTIVAL CANOPY		REV	
STANDARD		AZ-1010-FESTIVAL 3			

ALL DATA AND INFORMATION CONTAINED IN OR DISCLOSED BY THIS DOCUMENT IS CONFIDENTIAL AND PROPRIETARY INFORMATION OF AZTEC TENTS AND ALL RIGHTS THEREIN ARE EXPRESSLY RESERVED. BY ACCEPTING THIS MATERIAL THE RECIPIENT AGREES THAT THIS MATERIAL AND INFORMATION CONTAINED HEREIN IS HELD IN CONFIDENCE AND IN TRUST AND WILL NOT BE COPIED, REPRODUCED WHOLE OR IN PART, NOR ITS CONTENTS REVEALED IN ANY MANNER TO OTHERS, EXCEPT TO MEET THE SPECIFIC PURPOSE FOR WHICH IT WAS FURNISHED.

2665 COLUMBIA ST. TORRANCE, CA. 90503
 (800) 228-3887 - FAX (310) 381-0722



SIDE VIEW



PLAN VIEW

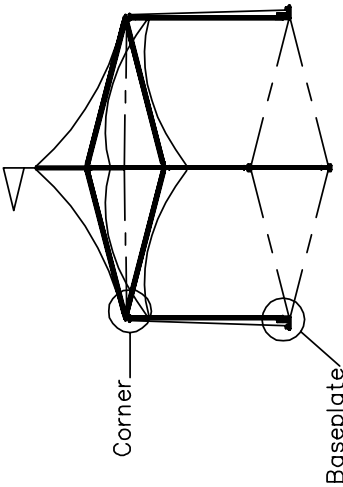
10' x 10' FESTIVAL CANOPY

FITTINGS:

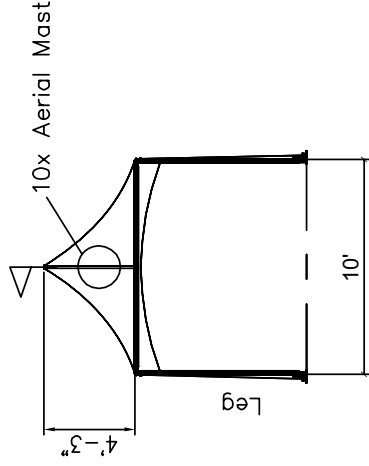
- (4) 10x/15x FESTIVAL CORNER
- (4) QWIK FOOTPLATE
- (2) 10x10 CABLES (1 1/4" x 1/4")
- (4) TENSIONERS
- (4) STAKES W\HEAD

PIPE: 2"

- (4) 7'-8" / 9'-4" LEGS
- (4) 9'-4" SPREADERS
- (1) 10x AERIAL MAST
- (16) JUMBO PINS

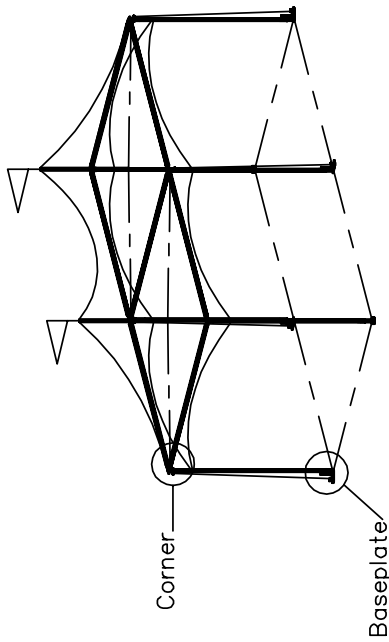


ISOMETRIC VIEW



END VIEW

K:\cad files\Fram Tents\Festivals\10x10x10.dwg, 03/2008 6:00:29 PM, pdfFactory.pc3



ISOMETRIC VIEW

- PIPE: 2"
- (6) 9'-4" LEGS
 - (7) 9'-4" SPREADERS
 - (2) 10X AERIAL MAST
 - (26) JUMBO PINS

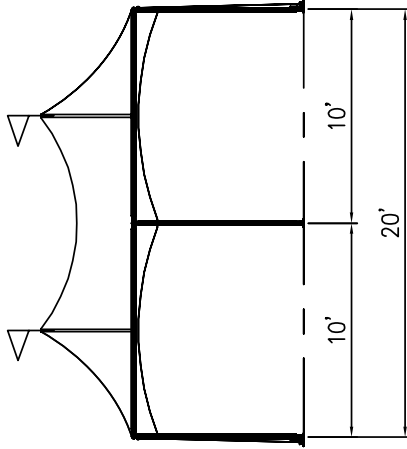
10' x 20' FESTIVAL CANOPY

FITTINGS:

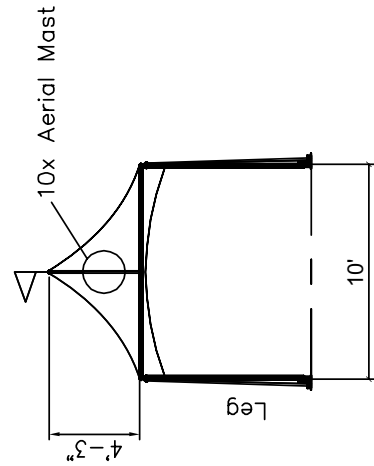
- (4) 10x/15x FESTIVAL CORNER
- (2) 10x/15x FESTIVAL SIDE
- (6) QWIK FOOTPLATE
- (4) 10x10 CABLES (13'-4" x 1/4")
- (6) TENSIONERS
- (6) STAKES W/HEAD

FABRIC:

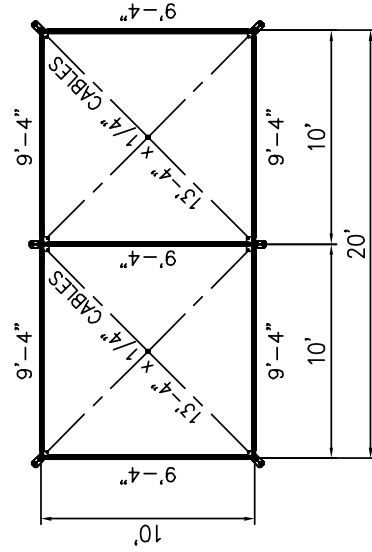
- (1) 10'x20' TOP (U/W) 1PC



SIDE VIEW



END VIEW



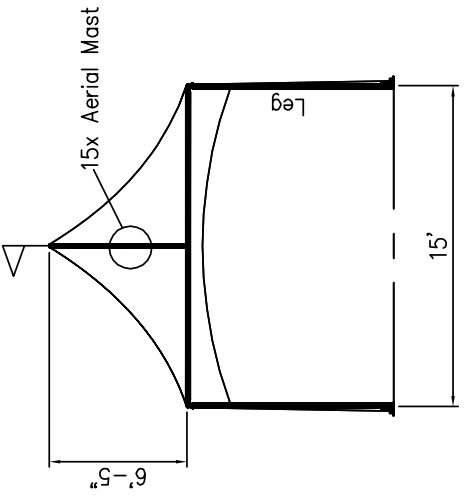
PLAN VIEW

FESTIVAL \10'x10x20		060308 1800	CHECKED	-	DATE	06/28/06
ENGINEER		CM	DATE	06/28/06	DRAWN	
2665 COLUMBIA ST. TORRANCE, CA. 90503		TRR		AZTEC		
(800) 228-3687 - FAX (310) 381-0722		PART DESCRIPTION				
FESTIVAL / STANDARD		CODE				
10'W x 20'L FESTIVAL CANOPY		SIZE				
DRAWING NUMBER		REV				
3		AZ-1020-FESTIVAL				

ALL DATA AND INFORMATION CONTAINED IN OR DISCLOSED BY THIS DOCUMENT IS CONFIDENTIAL AND PROPRIETARY TO AZTEC TENTS AND ALL RIGHTS THEREIN ARE EXPRESSLY RESERVED. BY ACCEPTING THIS MATERIAL THE RECIPIENT AGREES THAT THIS MATERIAL AND INFORMATION CONTAINED THEREIN IS HELD IN CONFIDENCE AND IN TRUST, AND WILL NOT BE COPIED, REPRODUCED WHOLE OR IN PART, EXCEPT TO MEET THE SPECIFIC PURPOSE FOR WHICH IT WAS DELIVERED.

Diagrams- Cont.

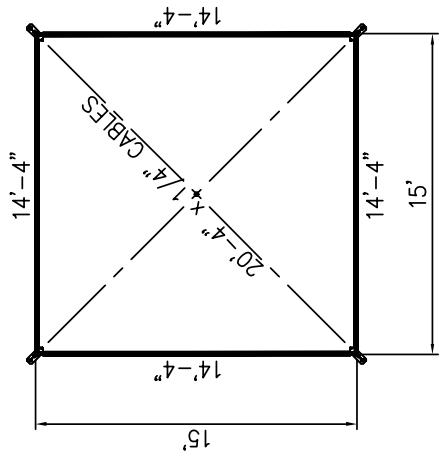
FESTIVAL FRAME TENT / STANDARD		AZ-1515-FESTIVAL		DATE	02/15/06	CHECKED	-	060308 1805	FESTIVAL\15x\15x15
PART DESCRIPTION		15'W x 15'L FESTIVAL CANOPY		DRAWN	TR	DESIGNER	CM		
REV		DRAWING NUMBER		2665 COLUMBIA ST. TORRANCE, CA 90503		(800) 228-3687 - FAX (310) 381-0722		ALL DATA AND INFORMATION CONTAINED IN OR DISCLOSED BY THIS DOCUMENT IS CONFIDENTIAL AND PROPRIETARY INFORMATION OF AZTEC TENTS AND ALL RIGHTS HEREBY ARE EXPRESSLY RESERVED. BY ACCEPTING THIS MATERIAL THE RECIPIENT AGREES THAT THIS MATERIAL AND INFORMATION CONTAINED HEREIN IS HELD IN CONFIDENCE AND IN TRUST AND WILL NOT BE COPIED, REPRODUCED WHOLE OR IN PART, NOR ITS CONTENTS REVEALED IN ANY MANNER TO OTHERS. EXCEPT TO MEET THE SPECIFIC PURPOSE FOR WHICH IT WAS DELIVERED.	



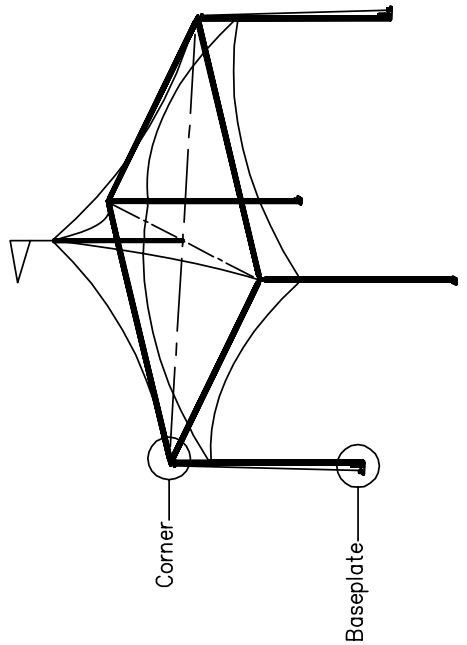
SIDE VIEW

15' x 15' FESTIVAL CANOPY

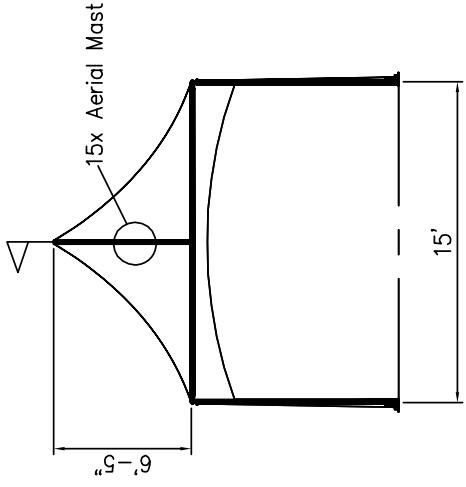
- FITTINGS:
- (4) 10x/15x FESTIVAL CORNER
 - (4) QWK FOOTPLATE
 - (2) 15x15 CABLES (20'-4" x 1/4")
 - (4) TENSIONERS
 - (4) STAKES W\HEAD
- PIPE: 2"
- (4) 7'-8"/9'-4" LEGS
 - (4) 14'-4" SPREADERS
 - (1) 15x AERIAL MAST
 - (16) JUMBO PINS



PLAN VIEW

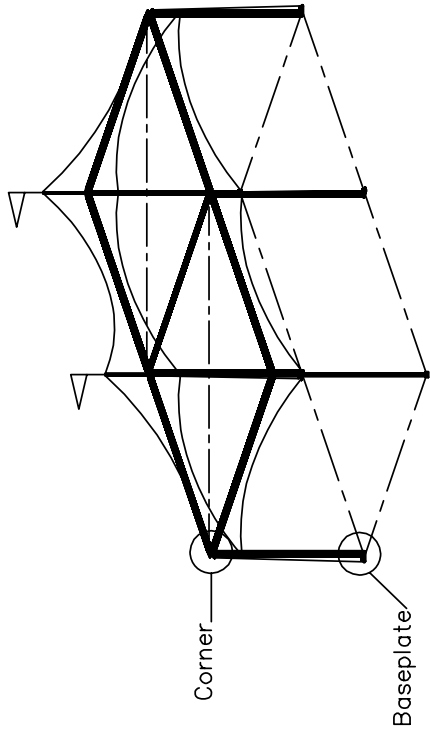


ISOMETRIC VIEW

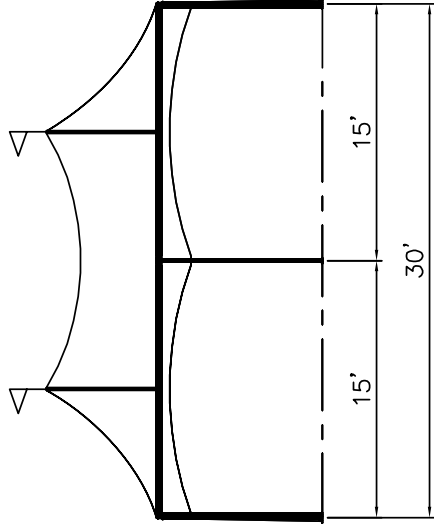


END VIEW

K:\cad files\Fram Tent\15x\15x15.dwg, 6/2/2006 6:10:20 PM, pdfFactory.pcs



ISOMETRIC VIEW



SIDE VIEW

15' x 30' FESTIVAL CANOPY

PIPE: 2"

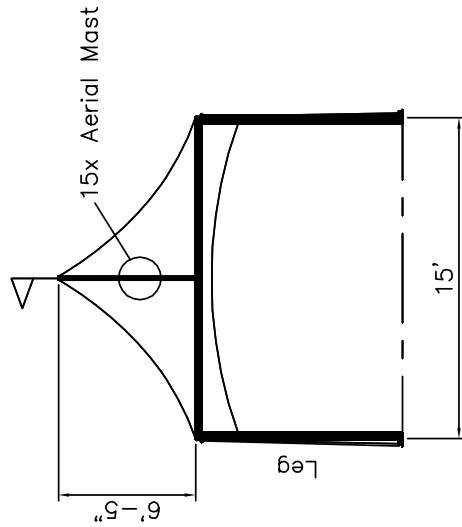
- (6) 7'-8"/9'-4" LEGS
- (6) 14'-4" SPREADERS
- (1) 14'-4" JUMBO SPREADER
- (2) 15x AERIAL MAST
- (26) JUMBO PINS

FITTINGS:

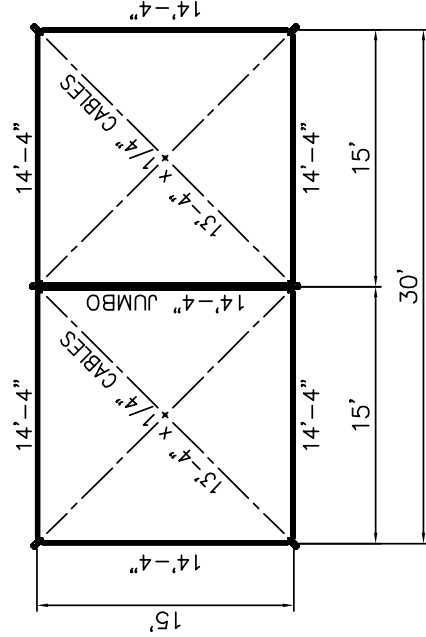
- (4) 10x/15x FESTIVAL CORNER
- (2) 10x/15x FESTIVAL SIDE
- (6) QWIK FOOTPLATE
- (4) 15x15 CABLES (13'-4" x 1/4")
- (6) TENSIONERS
- (6) STAKES W\HEAD

FABRIC:

- (1) 15'x30' TOP (U/W) 1PC



END VIEW



PLAN VIEW

STANDARD

FESTIVAL / STANDARD
15'W x 30'L FESTIVAL CANOPY

REV	DESCRIPTION	DATE	BY	CHKD
3	AZ-1530-FESTIVAL	06/28/06	TTR	CM



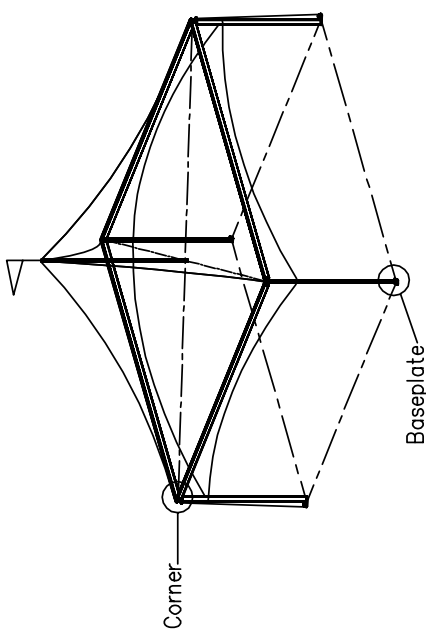
2665 COLUMBIA ST. TORRANCE CA 90503
(909) 228-3687 - FAX (310) 381-0722

060308 1810	FESTIVAL\15x15x30
CM	TTR
06/28/06	

ALL DATA AND INFORMATION CONTAINED IN OR DISCLOSED BY THIS DOCUMENT IS CONFIDENTIAL AND PROPRIETARY INFORMATION OF AZTEC TENTS AND ALL RIGHTS THEREIN ARE EXPRESSLY RESERVED. BY ACCEPTING THIS MATERIAL THE RECIPIENT AGREES THAT THIS MATERIAL AND INFORMATION CONTAINED HEREIN IS HELD IN CONFIDENCE AND IN TRUST AND WILL NOT BE COPIED, REPRODUCED WHOLE OR IN PART, EXCEPT TO MEET THE SPECIFIC PURPOSE FOR WHICH IT WAS DELIVERED.

Diagrams- Cont.

REV	DRAWING NUMBER	AZ-2020-FESTIVAL 2
PART DESCRIPTION	CODE	SIZE
FESTIVAL / STANDARD	20'W x 20'L FESTIVAL CANOPY	
ENGINEER	DRAWN	DATE
CM	KT	05/29/07
CHECKED	-	060308 1820
ALL DATA AND INFORMATION CONTAINED IN OR DISCLOSED BY THIS DOCUMENT IS CONFIDENTIAL AND PROPRIETARY INFORMATION OF AZTEC TENTS AND ALL RIGHTS THEREIN ARE EXPRESSLY RESERVED. BY ACCEPTING THIS MATERIAL THE RECIPIENT AGREES THAT THIS MATERIAL AND INFORMATION CONTAINED HEREIN IS HELD IN CONFIDENCE AND IN TRUST, AND WILL NOT BE COPIED, REPRODUCED WHOLE OR IN PART, NOR ITS CONTENTS REVEALED IN ANY MANNER TO OTHERS, EXCEPT TO MEET THE SPECIFIC PURPOSE FOR WHICH IT WAS DELIVERED.		
2665 COLUMBIA ST. TORRANCE, CA. 90503 (800) 228-3687 - FAX (310) 381-0722		



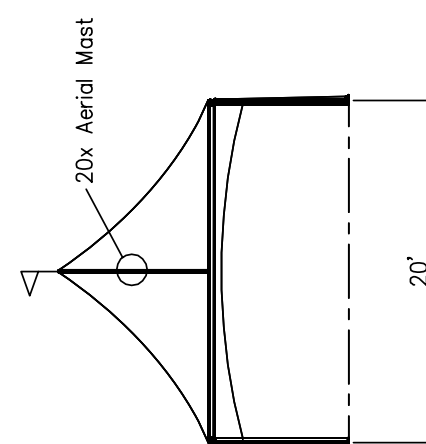
ISOMETRIC VIEW

20' x 20' FESTIVAL CANOPY

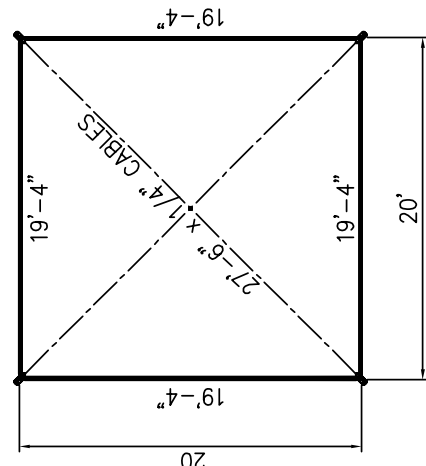
PIPE: JUMBO
 (4) 7'-8"/9'-4" LEGS
 (4) 19'-4" SPREADERS
 (1) 20x (8'-6") AERIAL MAST
 (18) JUMBO PINS

FITTINGS: JUMBO
 (4) FESTIVAL 20x CORNERS
 (2) 20x20 CABLES (27'-6" x 1/4")
 (4) ROPE TENSIONER
 (4) MID-SPAN TENSIONERS

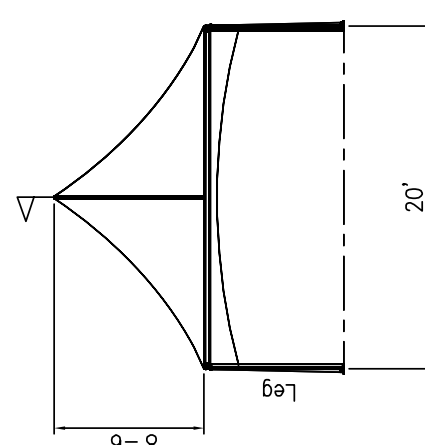
FABRIC:
 (1) 20x20 TOP (U/W) 1PC
 (4) FESTIVAL FOOTPLATE
 (4) STAKES W/HEAD
 (1) FESTIVAL TOOL



SIDE VIEW

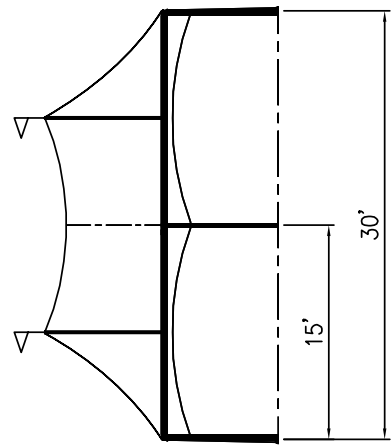


PLAN VIEW



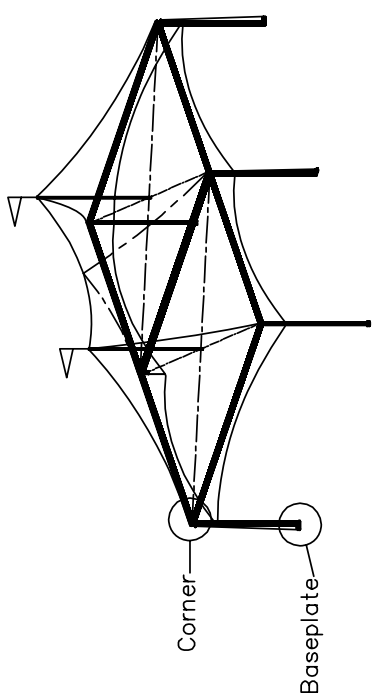
END VIEW

FESTIVAL 20x30-FESTIVAL 0		AZ-2030-FESTIVAL 0		REV	
DRAWING NUMBER		SIZE		CODE	
FESTIVAL / STANDARD		20' x 30'		FEST	
PART DESCRIPTION		DATE		CHECKED	
FESTIVAL / STANDARD		08/29/06		1540	
DRAWN		ENGINEER		CM	
KT		KT		-	
DATE		08/29/06		082906 1540	
FESTIVAL / STANDARD		AZTEC		ALL DATA AND INFORMATION CONTAINED IN OR DISCLOSED BY THIS DOCUMENT IS CONFIDENTIAL AND PROPRIETARY INFORMATION OF AZTEC TENTS AND ALL RIGHTS THEREIN ARE EXPRESSLY RESERVED. BY ACCEPTING THIS MATERIAL THE RECIPIENT AGREES THAT THIS MATERIAL AND INFORMATION CONTAINED HEREIN IS HELD IN CONFIDENCE AND IN TRUST AND WILL NOT BE COPIED, REPRODUCED WHOLE OR IN PART, NOR ITS CONTENTS REVEALED IN ANY MANNER TO OTHERS, EXCEPT TO MEET THE SPECIFIC PURPOSE FOR WHICH IT WAS DELIVERED.	
490 ALASKA AVE. TORRANCE, CA. 90503 (800) 228-3687 - FAX (310) 581-0722				FESTIVAL\20x\20x30	



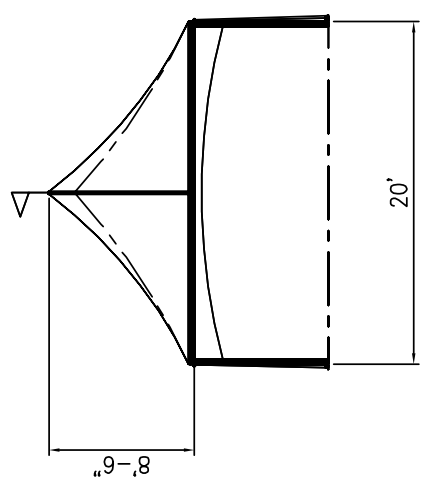
SIDE VIEW

20' x 30' FESTIVAL

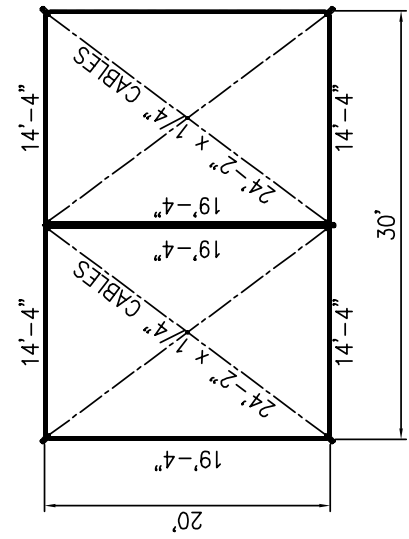


ISOMETRIC VIEW

- PIPE: JUMBO (6) 7'-8"/9'-4" LEGS
 (4) 14'-4" SPREADERS
 (4) 19'-4" SPREADERS
 (2) 20x AERIAL MAST
 (28) JUMBO PINS
- FITTINGS: JUMBO
 (4) 20x FESTIVAL CORNERS
 (2) 20x FESTIVAL SIDE
 (4) 20x15 CABLES (24'-2")
 (6) ROPE TENSIONER
- FABRIC: (1) 20x30 TOP (U/W) 1PC
- (6) MID-SPAN TENSIONERS
 (6) FESTIVAL FOOTPLATE
 (6) STAKES W\HEAD
 (1) FESTIVAL TOOL



PLAN VIEW

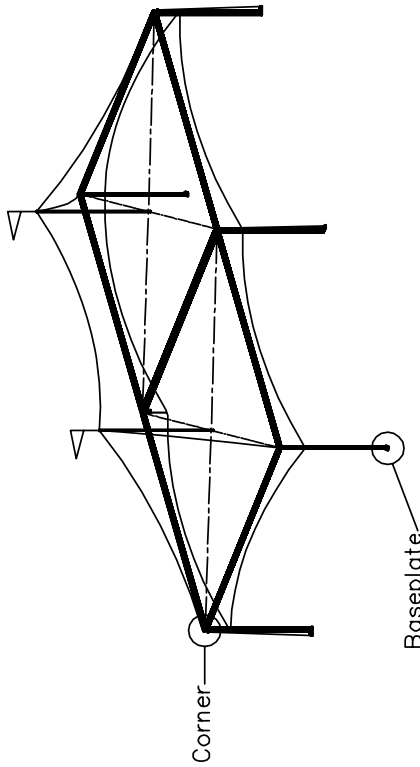


PLAN VIEW

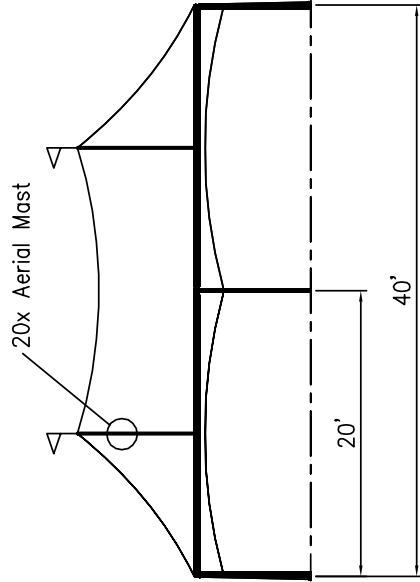
Diagrams- Cont.

FESTIVAL / STANDARD		DATE 06/07/06		CHECKED -		060308 1840	
FESTIVAL / STANDARD		DRAWN TTR		ENGINEER CM		FESTIVAL\20x\20x40	
2665 COLUMBIA ST. TORRANCE, CA. 90503 (800) 228-3687 - FAX (310) 381-0722		PART DESCRIPTION		SIZE		DRAWING NUMBER	
FESTIVAL / STANDARD		AZ-2040-FESTIVAL		REV		2	

ALL DATA AND INFORMATION CONTAINED IN OR DISCLOSED BY THIS DOCUMENT IS CONFIDENTIAL AND PROPRIETARY INFORMATION OF AZTEC TENTS AND ALL RIGHTS THEREBY ARE EXPRESSLY RESERVED. BY ACCEPTING THIS MATERIAL THE RECIPIENT AGREES THAT THIS MATERIAL AND INFORMATION CONTAINED HEREIN IS HELD IN CONFIDENCE AND IN TRUST FOR ITS CONTENTS REVEALED IN ANY MANNER TO OTHERS. EXCEPT TO MEET THE SPECIFIC PURPOSE FOR WHICH IT WAS DELIVERED.



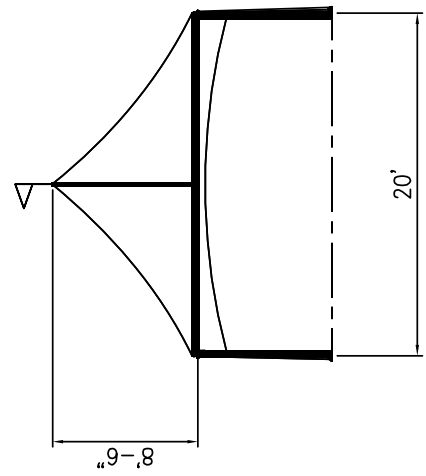
ISOMETRIC VIEW



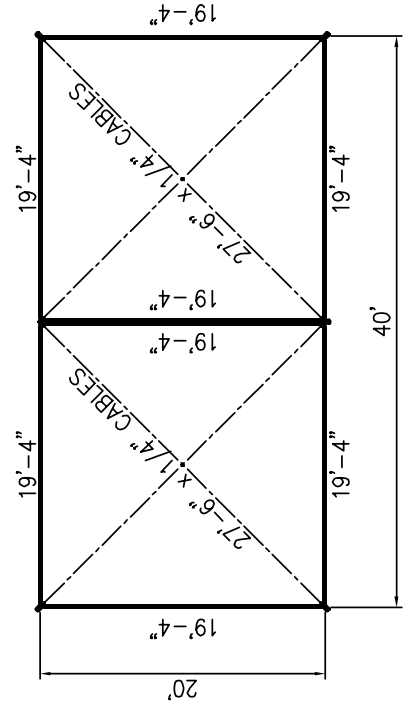
SIDE VIEW

20' x 40' FESTIVAL CANOPY

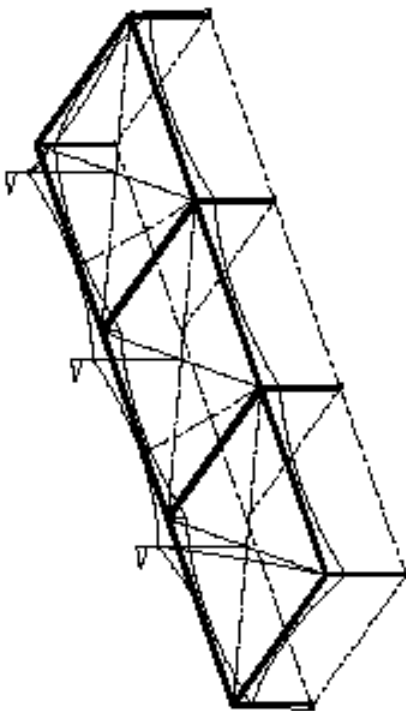
- PIPE: JUMBO
 (6) 7'-8"/9'-4" LEGS
 (8) 19'-4" SPREADERS
 (2) 20x (8'-6") AERIAL MAST
 (32) JUMBO PINS
- FITTINGS: JUMBO
 (4) 20x FESTIVAL CORNERS
 (2) 20x FESTIVAL SIDE
 (4) 20x20 CABLES (27'-6" x 1/4")
 (6) ROPE TENSIONER
- FABRIC:
 (1) 20x40 TOP (U/W) 1PC
 (6) MID-SPAN TENSIONERS
 (6) FESTIVAL FOOTPLATE
 (6) STAKES W/HEAD
 (1) FESTIVAL TOOL



PLAN VIEW



PLAN VIEW



ISOMETRIC VIEW

PIPE: JUMBO

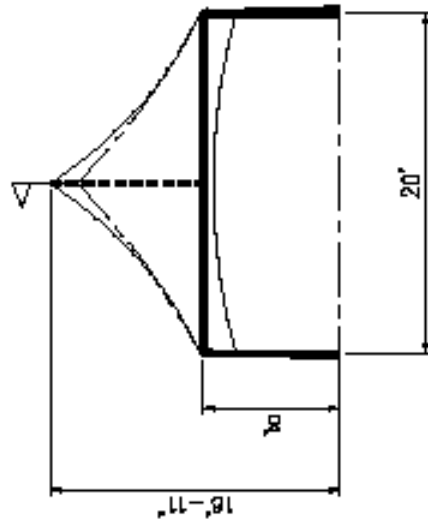
- (8) 7'-8" LEGS
- (12) 19'-4" SPREADERS
- (3) 20x AERIAL MAST
- (40) JUMBO PINS

FITTINGS: JUMBO

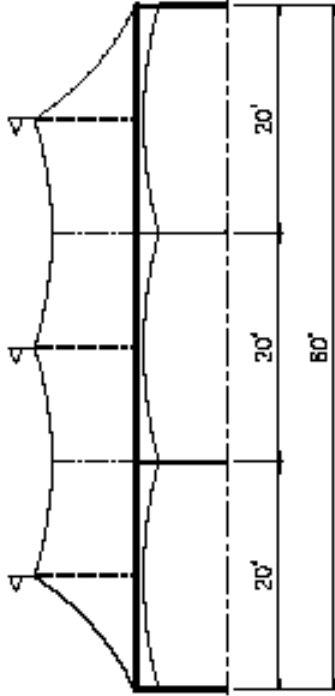
- (4) 20x FESTIVAL CORNERS
- (4) 20x FESTIVAL SIDE
- (6) 20x20 CABLES (27'-6")
- (8) ROPE TENSIONER
- (8) MID-SPAN TENSIONERS

20' x 60' x 8' FESTIVAL

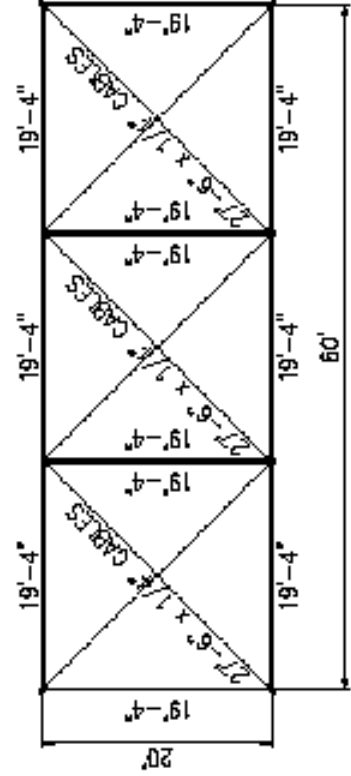
- (8) FESTIVAL FDD/PLATE
- (8) STAKES W/HEAD
- (1) FESTIVAL TOLL



PLAN VIEW




SIDE VIEW

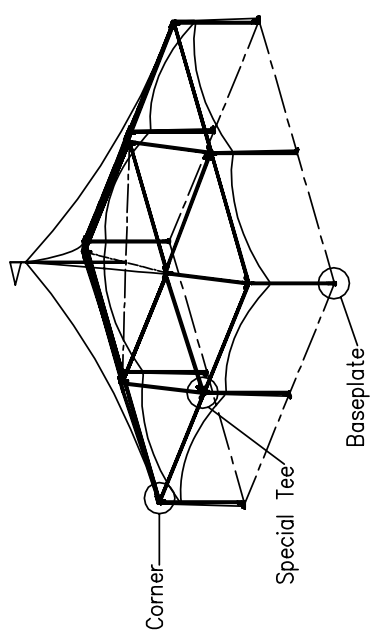


PLAN VIEW

FESTIVAL / STANDARD 20'W x 60'W x 8' LEGS				06/07/06		FEST		AZ20608-FESTIVAL 0	
STANDARD		AZTEC		06/07/06		FEST		AZ20608-FESTIVAL 0	
FESTIVAL / STANDARD 20'W x 60'W x 8' LEGS		AZTEC		06/07/06		FEST		AZ20608-FESTIVAL 0	

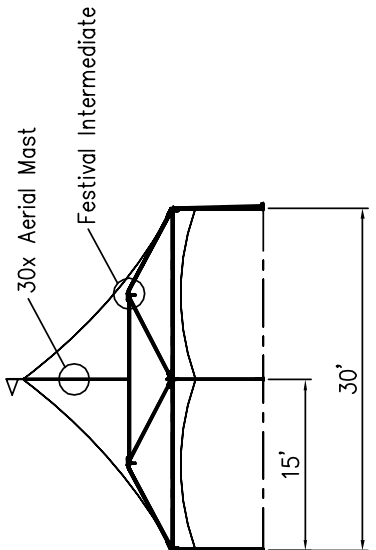
Diagrams- Cont.

REV	DRAWING NUMBER	CODE	SIZE	PART DESCRIPTION	DATE	CHECKED	ENGINEER	PROJECT
1	AZT3030-FESTIVAL			FESTIVAL / STANDARD	04/21/05	-	CM	FESTIVAL\30x\30x30
					ALL DATA AND INFORMATION CONTAINED IN OR DISCLOSED BY THIS DOCUMENT IS CONFIDENTIAL AND PROPRIETARY INFORMATION OF AZTEC TENTS AND ALL RIGHTS THEREIN ARE EXPRESSLY RESERVED. BY ACCEPTING THIS MATERIAL THE RECIPIENT AGREES THAT THIS MATERIAL AND INFORMATION CONTAINED THEREIN IS HELD IN CONFIDENCE AND IN TRUST AND WILL NOT BE COPIED, REPRODUCED WHOLE OR IN PART, FOR ITS CONTENTS REVEALED IN ANY MANNER TO OTHERS, EXCEPT TO MEET THE SPECIFIC PURPOSE FOR WHICH IT WAS DELIVERED.			



ISOMETRIC VIEW

30' x 30' FESTIVAL CANOPY



SIDE VIEW

PIPE: HYBRID

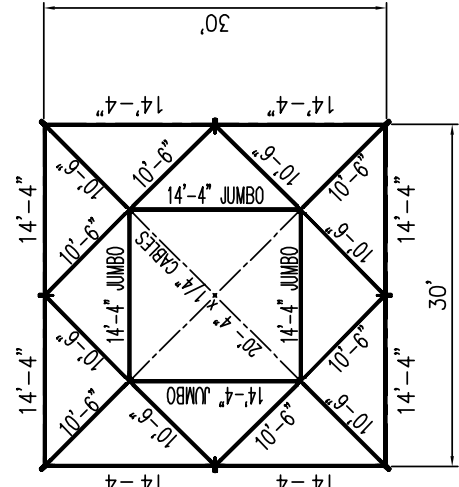
- (4) 4'-6" (2") ASSEMBLY LEGS
- (8) 7'-8"/9'-4" (JUMBO) LEGS
- (12) 10'-6" (2") RAFTERS
- (8) 14'-4" (2") SPREADERS
- (4) 14'-4" (JUMBO) SPREADERS
- (1) 30x (9'-3") AERIAL MAST

FITTINGS:

- (4) 30x/40x FESTIVAL CORNERS
- (4) JUMBO SPECIAL TEE
- (4) FESTIVAL INTERMEDIATE
- (8) FESTIVAL FOOTPLATES
- (8) RATCHET TENSIONERS
- (2) 15x FESTIVAL CABLES (20'-4" x 1/4")

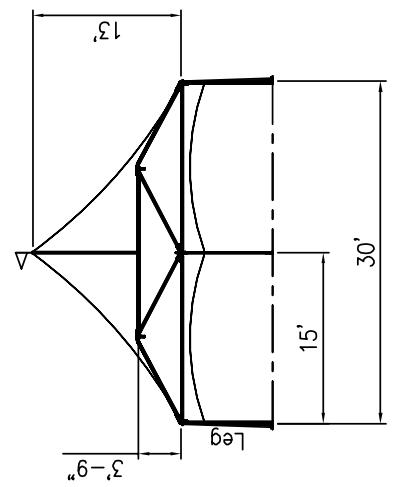
FABRIC:

- (1) 30x30 TOP (U/W) 2PC. LACE
- (8) STAKES W/HEAD
- (1) FESTIVAL INSTALLATION TOOL
- (64) JUMBO PINS

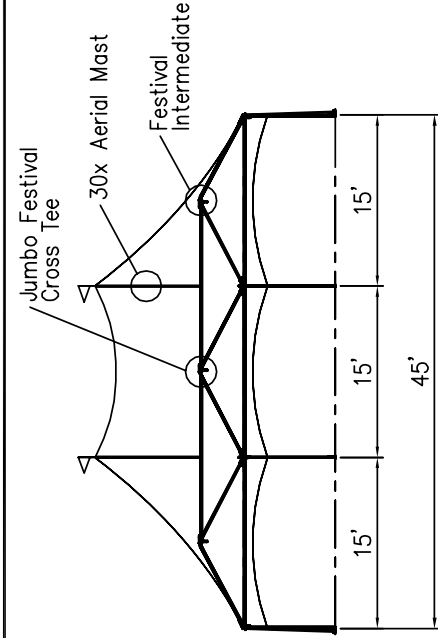


PLAN VIEW

END VIEW



K:\cad files\Fram Tents\Festivals\30x\30x30.dwg, 5/28/2008 6:08:40 PM, pdfFactory.pc3



ISOMETRIC VIEW

30' x 45' FESTIVAL CANOPY

PIPE: HYBRID

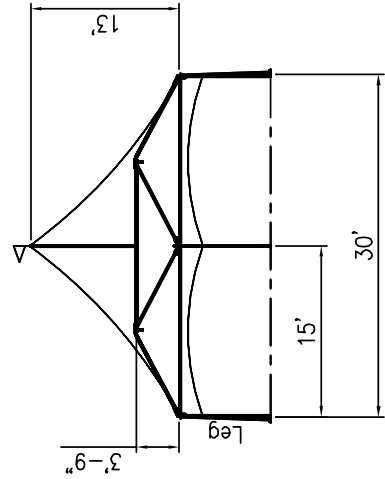
- (6) 4'-6" (2") ASSEMBLY LEGS
- (10) 7'-8"/9'-4" (JUMBO) LEGS
- (16) 10'-6" (2") RAFTERS
- (10) 14'-4" (2") SPREADERS
- (7) 14'-4" (JUMBO) SPREADERS
- (2) 30x (9'-3") AERIAL MAST

FITTINGS:

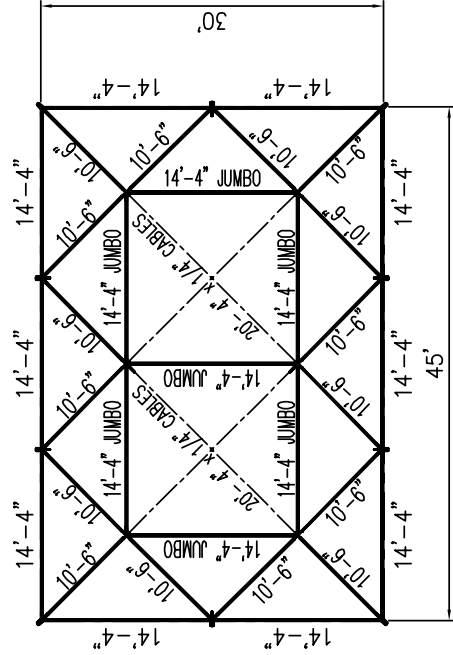
- (4) 30x/40x FESTIVAL CORNERS
- (6) JUMBO SPECIAL TEE
- (4) FESTIVAL INTERMEDIATE
- (10) FESTIVAL FOOTPLATES
- (10) RATCHET TENSIONERS
- (4) 15x FESTIVAL CABLES (20'-4" x 1/4")

FABRIC:

- (2) JUMBO FESTIVAL CROSS TEE (1) 30x30 TOP (U/W) 2PC. LACE
- (2) 30' CABLES (1) 30x15 MIDDLE (U/W) LACE
- (10) STAKES W/HEAD
- (1) FESTIVAL INSTALLATION TOOL
- (90) JUMBO PINS



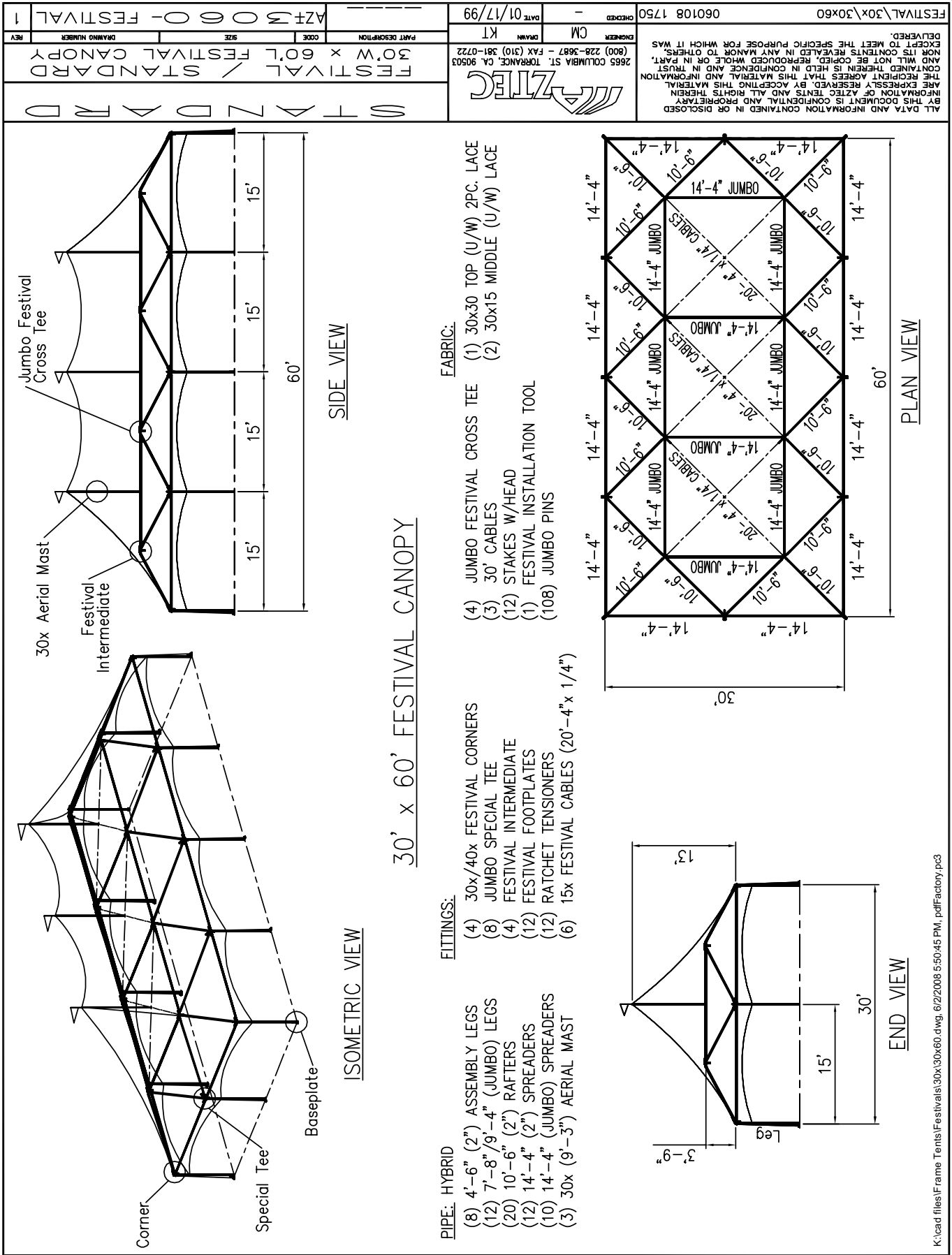
END VIEW



PLAN VIEW


<p>STANDARD</p>				<p>ALL DATA AND INFORMATION CONTAINED IN OR DISCLOSED BY THIS DOCUMENT IS CONFIDENTIAL AND PROPRIETARY. INFORMATION OF AZTEC TENTS AND ALL RIGHTS THEREIN ARE EXPRESSLY RESERVED. BY ACCEPTING THIS MATERIAL THE RECIPIENT AGREES THAT THIS MATERIAL AND INFORMATION CONTAINED HEREIN IS HELD IN CONFIDENCE AND IN TRUST AND WILL NOT BE COPIED, REPRODUCED WHOLE OR IN PART, NOR ITS CONTENTS REVEALED IN ANY MANNER TO OTHERS, EXCEPT TO MEET THE SPECIFIC PURPOSE FOR WHICH IT WAS DELIVERED.</p>	
<p>FESTIVAL / STANDARD 30'W x 45'L FESTIVAL CANOPY</p>		<p>2665 COLUMBIA ST. TORRANCE, CA 90503 (800) 228-3687 - FAX (310) 381-0722</p>		<p>ENGINEER: CM DRAWN: KT DATE: 01/17/99</p>	
REV	DRAWING NUMBER	CODE	SIZE	CHECKED	060108 1020
3	AZT3045-FESTIVAL				FESTIVAL\30x\30x45

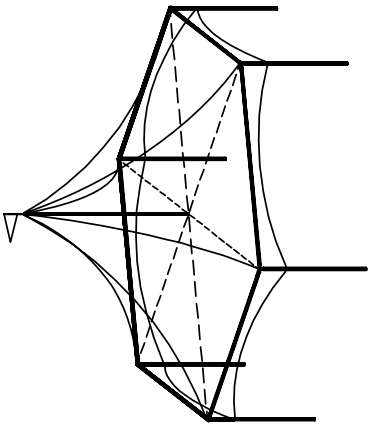
Diagrams- Cont.



<p>DATE 01/17/99</p> <p>CM</p> <p>ENGINEER</p> <p>2665 COLUMBIA ST. TORRANCE, CA 90503 (800) 228-3687 - FAX (310) 381-0722</p> <p>AZTEC</p>		<p>CHECKED 060108 1750</p> <p>FESTIVAL\30x\30x60</p>
<p>PART DESCRIPTION</p> <p>30' W x 60' L FESTIVAL CANOPY</p> <p>REV</p>	<p>CODE</p> <p>SIZE</p> <p>DRAWING NUMBER</p>	<p>ALL DATA AND INFORMATION CONTAINED IN OR DISCLOSED HEREIN IS CONFIDENTIAL AND PROPRIETARY INFORMATION OF AZTEC AND ALL RIGHTS THEREIN ARE EXPRESSLY RESERVED. BY ACCEPTING THIS MATERIAL THE RECIPIENT AGREES THAT THIS MATERIAL AND INFORMATION CONTAINED THEREIN IS HELD IN CONFIDENCE AND IN TRUST AND WILL NOT BE COPIED, REPRODUCED WHOLE OR IN PART, NOR ITS CONTENTS REVEALED IN ANY MANNER TO OTHERS, EXCEPT TO MEET THE SPECIFIC PURPOSE FOR WHICH IT WAS DELIVERED.</p>

K:\cad files\Frametennis\Festival\30x30x60.dwg, 6/2/2008 5:50:45 PM, pdfFactory.pcs

FESTIVAL CANOPY / STANDARD		PART DESCRIPTION		CODE		SIZE		DRAWING NUMBER		REV	
STANDARD		FESTIVAL CANOPY / STANDARD		30' WIDE FESTIVAL HEX		AZ-30' HEX-FESTIVAL		3			
		2665 COLUMBIA ST. TORRANCE, CA 90503 (800) 228-3687 - FAX (310) 381-0722		ENGINEER CM		DRAWN KT		DATE 07/30/01		CHECKED -	
ALL DATA AND INFORMATION CONTAINED IN OR DISCLOSED BY THIS DOCUMENT IS CONFIDENTIAL AND PROPRIETARY. INFORMATION OF AZTEC TENTS AND ALL RIGHTS THEREIN ARE EXPRESSLY RESERVED. BY ACCEPTING THIS MATERIAL THE RECIPIENT AGREES THAT THIS MATERIAL AND INFORMATION CONTAINED HEREIN IS HELD IN CONFIDENCE AND IN TRUST. AND WILL NOT BE COPIED, REPRODUCED WHOLE OR IN PART, EXCEPT TO MEET THE SPECIFIC PURPOSE FOR WHICH IT WAS DELIVERED.		060308 1750		FESTIVAL HEX		FESTIVAL HEX		FESTIVAL HEX		FESTIVAL HEX	



ISOMETRIC VIEW

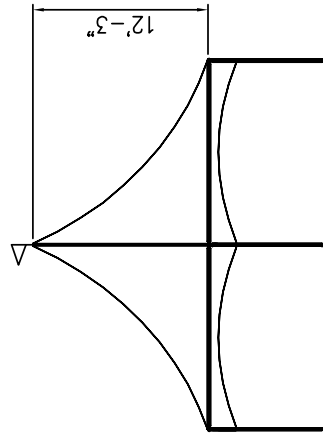
- PICKLIST:
- (6) 6'-8", 7' -8" / 9' -4" JUMBO (LEGS)
 - (6) 14'-4" JUMBO (PIPE)
 - (1) 12'-3" RED AERIAL MAST 40x/30x HEX
 - (3) CABLES - 29'-1 1/2"
 - (1) FESTIVAL TOOL
 - (24) JUMBO PINS

30' HEXAGON FESTIVAL

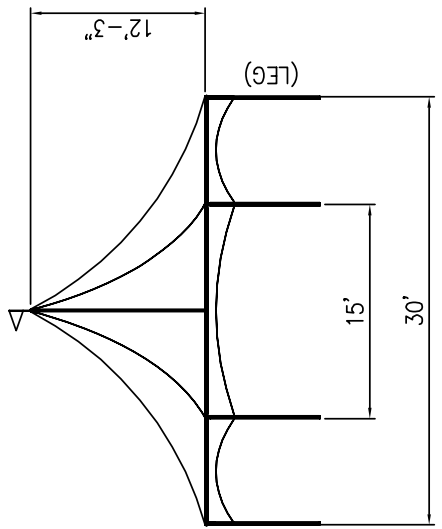
- (1) HEXAGON 30x30 TOP (U/W) 1 PC.
- (1) FESTIVAL FLAG
- (6) RATCHET TENSIONER
- (6) CUSTOM 120 DEGREE FITTING JUMBO
- (6) FESTIVAL FOOTPLATE
- (6) STAKE W/ HEAD

OPTIONS:

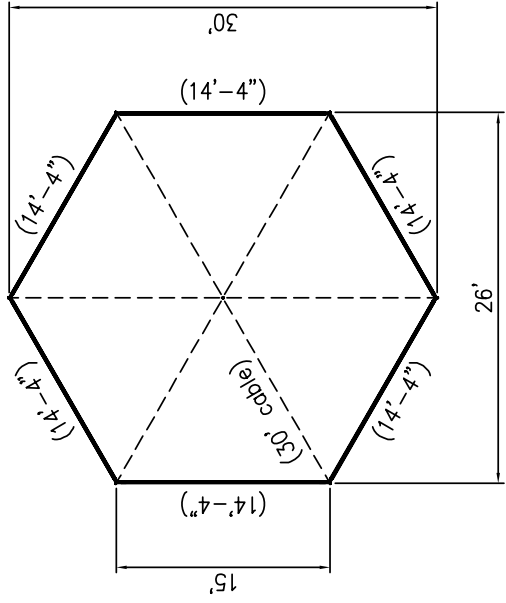
- (6) MID SPAN TENSIONERS
- (6) HEX CORNER BRACE SETS



SIDE VIEW



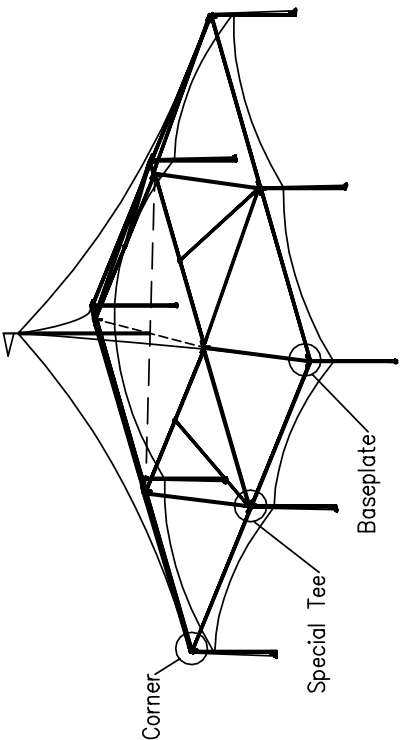
FRONT VIEW



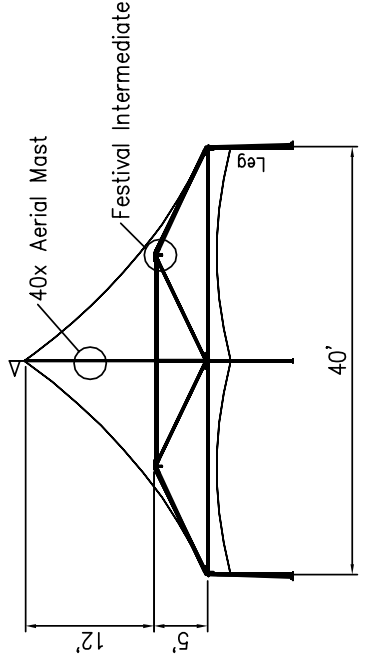
PLAN VIEW

Diagrams- Cont.

REV	AZ 40 x 40 - FESTIVAL	DRAWN	TTR	CHECKED	CM
PART DESCRIPTION	FESTIVAL / STANDARD	DATE	07-05-2006	ENGINEER	AZTEC
SIZE	40'W x 40'L FESTIVAL CANOPY	DRAWN	TTR	CHECKED	CM
DRAWING NUMBER	FESTIVAL / STANDARD	DATE	07-05-2006	ENGINEER	AZTEC



ISOMETRIC VIEW



SIDE VIEW

40' x 40' FESTIVAL CANOPY

PIPE: HYBRID

- (4) 6'-0" (2") ASSEMBLY LEGS
- (8) 7'-8" / 9'-4" (JUMBO) LEGS
- (4) 10'-6" (2") RAFTERS (GREEN)
- (4) 14'-4" (2") RAFTERS (WHITE)
- (8) 14'-4" (JUMBO) RAFTERS (WHITE)
- (12) 19'-4" (JUMBO) SPREADERS (ORANGE)
- (1) 40x (12'-3") AERIAL MAST

FITTINGS:

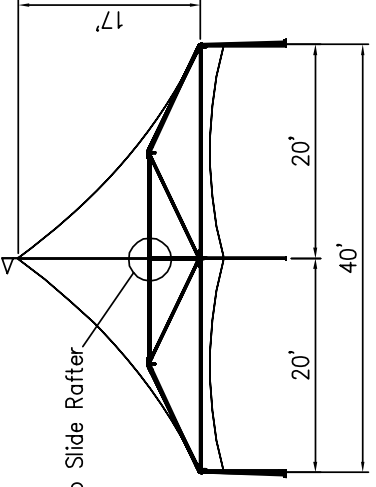
- (4) 30x/40x FESTIVAL CORNERS
- (4) JUMBO SPECIAL TEE
- (4) FESTIVAL INTERMEDIATE
- (4) JUMBO SLIDE RAFTER
- (8) MID-SPAN TENSIONER
- (8) RATCHET TENSIONERS
- (2) 20x20 FESTIVAL CABLES (27'-6" x 1/4")

FABRIC:

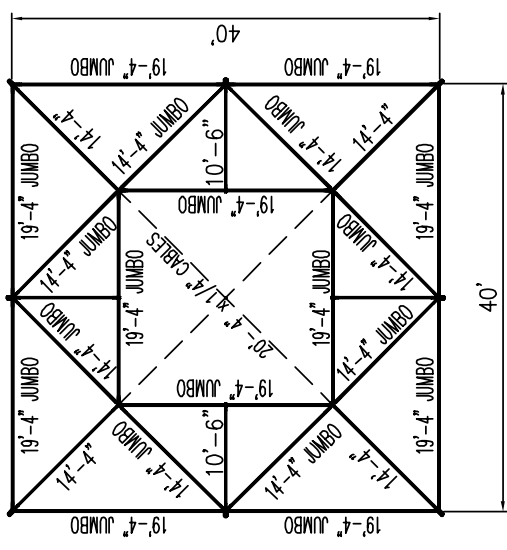
- (1) 40x40 TOP (U/W) 1PC.

INSTALLATION TOOL:

- (1) FESTIVAL INSTALLATION TOOL



END VIEW



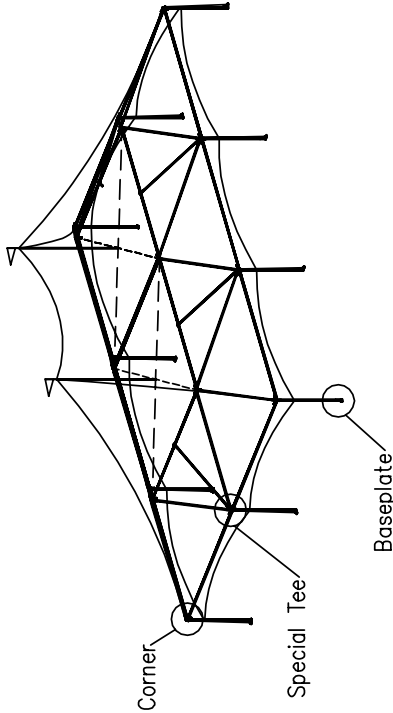
PLAN VIEW

ALL DATA AND INFORMATION CONTAINED IN OR DISCLOSED BY THIS DOCUMENT IS CONFIDENTIAL AND PROPRIETARY. THE RECEPT AGREES THAT THIS MATERIAL AND INFORMATION ARE EXPRESSLY RESERVED, BY ACCEPTING THIS MATERIAL AND INFORMATION IS HELD IN CONFIDENCE AND IN TRUST. AND WILL NOT BE COPIED, REPRODUCED WHOLE OR IN PART, EXCEPT TO MEET THE SPECIFIC PURPOSE FOR WHICH IT WAS DELIVERED.

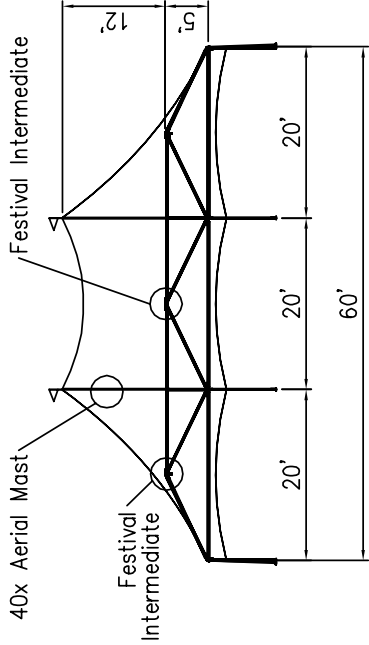
K:\cad files\Fram Tents\Festivals\40x40x40.dwg, 6/3/2008 4:38:05 PM, pdfFactory.pc3

STANDARD / STANDARD		FESTIVAL / STANDARD		40'W x 60'L FESTIVAL CANOPY		DRAWING NUMBER		REV	
AZTEC		2665 COLUMBIA ST. TORRANCE, CA. 90503		(800) 228-3687 - FAX (310) 381-0722		DRAWN		DATE 06/02/08	
ENGINEER		CM		CHECKED		-		060208 1640	
FESTIVAL\40x\40x60		060208 1640		-		-		-	

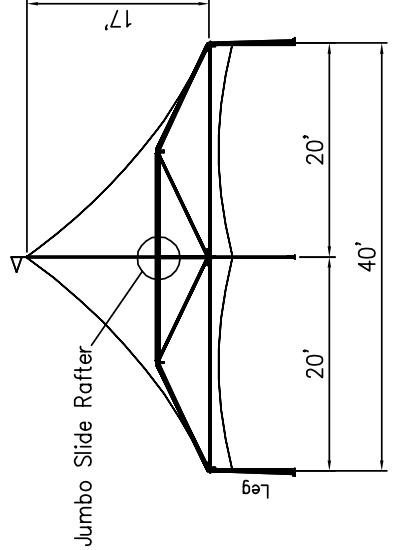
ALL DATA AND INFORMATION CONTAINED IN OR DISCLOSED BY THIS DOCUMENT IS CONFIDENTIAL AND PROPRIETARY INFORMATION OF AZTEC TENTS AND ALL RIGHTS THEREIN ARE EXPRESSLY RESERVED. BY ACCEPTING THIS MATERIAL THE RECIPIENT AGREES THAT THIS MATERIAL AND INFORMATION CONTAINED THEREIN IS HELD IN CONFIDENCE AND IN TRUST AND WILL NOT BE COPIED, REPRODUCED WHOLE OR IN PART, EXCEPT TO MEET THE SPECIFIC PURPOSE FOR WHICH IT WAS DELIVERED.



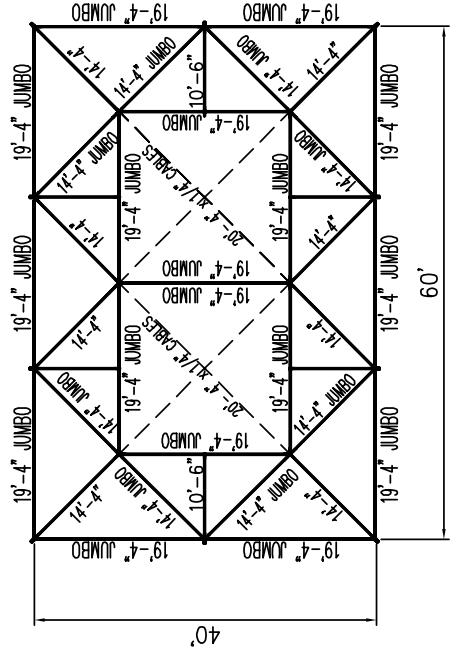
ISOMETRIC VIEW 40' x 60' FESTIVAL CANOPY



SIDE VIEW



END VIEW



PLAN VIEW

- PIPE: HYBRID
- (6) 6'-0" (2") ASSEMBLY LEGS
 - (10) 7'-8" / 9'-4" (JUMBO) LEGS
 - (6) 10'-6" (2") RAFTERS (GREEN)
 - (8) 14'-4" (2") RAFTERS (WHITE)
 - (8) 14'-4" (JUMBO) RAFTERS (WHITE)
 - (18) 19'-4" (JUMBO) SPREADERS (ORANGE)
 - (2) 40x (12'-3") AERIAL MAST
- FITTINGS:
- (4) 30x/40x FESTIVAL CORNERS
 - (6) JUMBO SPECIAL TEE
 - (4) FESTIVAL INTERMEDIATE
 - (6) JUMBO SLIDE RAFTER
 - (2) JUMBO FESTIVAL CROSS TEE
 - (10) MID-SPAN TENSIONER
 - (10) RATCHET TENSIONERS
 - (4) 20x20 FESTIVAL CABLES (27'-6" x 1/4")
- FABRIC:
- (2) 40' CABLE
 - (2) 40x CABLE TRUSS ASSY
 - (1) JUMBO PIPE CLAMP
 - (10) STAKES W/HEAD
 - (10) FESTIVAL FOOTPLATES
 - (2) FESTIVAL FLAGS
 - (100) JUMBO PINS
 - (1) FESTIVAL INSTALLATION TOOL

Diagrams- Cont.

ISOMETRIC VIEW

40' x 80' FESTIVAL CANOPY

SIDE VIEW

PIPE: HYBRID

- (8) 6'-0" (2") ASSEMBLY LEGS
- (12) 7'-8" / 9'-4" (JUMBO) LEGS
- (8) 10'-6" (2") RAFTERS (GREEN)
- (12) 14'-4" (2") RAFTERS (WHITE)
- (8) 14'-4" (JUMBO) RAFTERS (WHITE)
- (24) 19'-4" (JUMBO) SPREADERS (ORANGE)
- (3) 40x (12'-3") AERIAL MAST

FITTINGS:

- (4) 30x/40x FESTIVAL CORNERS
- (8) JUMBO SPECIAL TEE
- (4) FESTIVAL INTERMEDIATE
- (8) JUMBO SLIDE RAFTER
- (4) JUMBO FESTIVAL CROSS TEE
- (12) MID-SPAN TENSIONER
- (12) RATCHET TENSIONERS
- (6) 20x20 FESTIVAL CABLES (27'-6" x 1/4")

FABRIC:

- (1) 40x40 TOP (U/W) 2PC.
- (2) 40x20 MIDDLE (U/W) LACE

END VIEW

PLAN VIEW

STANDARD / STANDARD
 FESTIVAL / STANDARD
 40'W x 80'L FESTIVAL CANOPY


2665 COLUMBIA ST. TORRANCE, CA 90503
 (800) 228-3687 - FAX (310) 381-0722
AZTEC

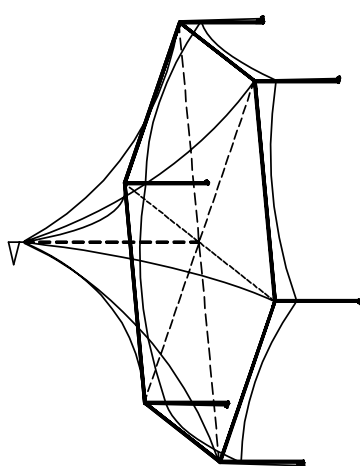
ENGINEER: CM
 DATE: 06/02/08

CHECKED: -
 060208 1705
 FESTIVAL\40x\40x80

AL DATA AND INFORMATION CONTAINED IN OR DISCLOSED BY THIS DOCUMENT IS CONFIDENTIAL AND PROPRIETARY INFORMATION OF AZTEC TENTS AND ALL RIGHTS THEREIN ARE EXPRESSLY RESERVED. BY ACCEPTING THIS MATERIAL THE RECIPIENT AGREES THAT THIS MATERIAL AND INFORMATION CONTAINED THEREIN IS HELD IN CONFIDENCE AND IN TRUST AND WILL NOT BE COPIED, REPRODUCED WHOLE OR IN PART, FOR ANY PURPOSES WITHOUT THE WRITTEN CONSENT OF AZTEC TENTS. EXCEPT TO MEET THE SPECIFIC PURPOSE FOR WHICH IT WAS DELIVERED.

DRAWING NUMBER: AZ4080-FESTIVAL 0
 REV

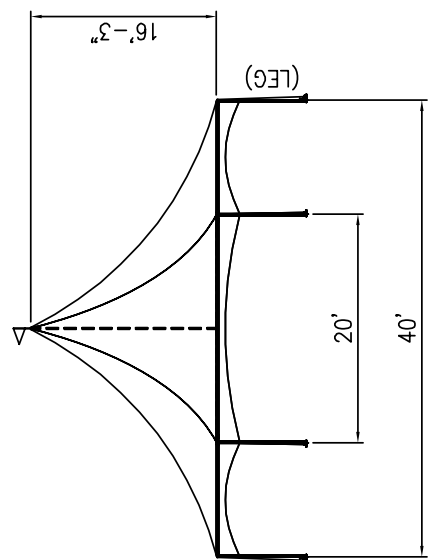
STANDARD		PART DESCRIPTION		DRAWING NUMBER		REV	
FESTIVAL CANOPY / STANDARD		40' WIDE FESTIVAL HEX					
AZ-40'HEX-FESTIVAL 2							
DATE 01/14/02		DRAWN CM		CHECKED 060308 1745		FESTIVAL\HEX\40x HEX	
ENGINEER KT		2665 COLUMBIA ST. TORRANCE, CA. 90503		(800) 228-3687 - FAX (310) 381-0722		ALL DATA AND INFORMATION CONTAINED IN OR DISCLOSED BY THIS DOCUMENT IS CONFIDENTIAL AND PROPRIETARY INFORMATION OF AZTEC TENTS AND ALL RIGHTS HEREIN ARE EXPRESSLY RESERVED. BY ACCEPTING THIS MATERIAL THE RECIPIENT AGREES THAT THIS MATERIAL AND INFORMATION CONTAINED HEREIN IS HELD IN CONFIDENCE AND IN TRUST AND WILL NOT BE COPIED, REPRODUCED WHOLE OR IN PART, NOR ITS CONTENTS REVEALED IN ANY MANNER TO OTHERS, EXCEPT TO MEET THE SPECIFIC PURPOSE FOR WHICH IT WAS DELIVERED.	
							



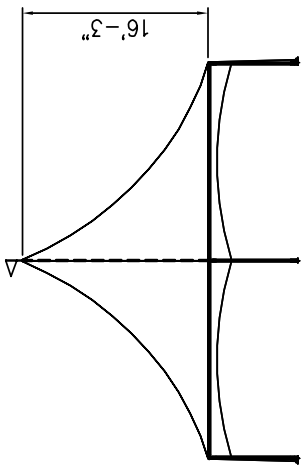
ISOMETRIC VIEW

40' HEXAGON FESTIVAL

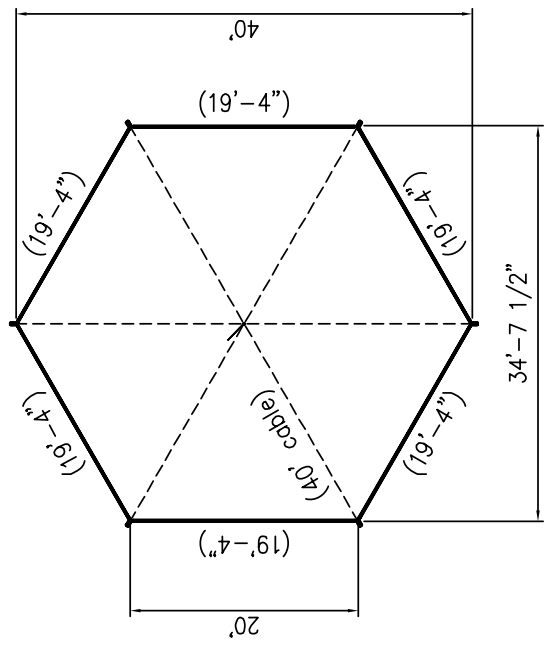
- PICKLIST:
- (6) 6'-8" / 7'-8" / 9'-4" JUMBO (LEGS)
 - (6) 19'-4" JUMBO (PIPE)
 - (1) 16'-3" RED AERIAL MAST 40x HEX
 - (3) CABLES - 39'-1 1/2"
 - (1) FESTIVAL TOOL
 - (24) JUMBO PINS
 - (6) MID SPAN TENSIONERS
- (1) HEXAGON 40x40 TOP (U/W) 1 PC.
 - (1) FESTIVAL FLAG
 - (6) RATCHET TENSIONER
 - (6) CUSTOM 120 DEGREE FITTING JUMBO
 - (6) FESTIVAL FOOTPLATE
 - (6) STAKE W/ HEAD
 - (6) HEX CORNER BRACE SETS



FRONT VIEW



SIDE VIEW



PLAN VIEW

Parts Listing

Item	Item No.	Weight lbs
Festival Corner 10/15	Z29700010	5
Festival Corner 20X	Z29700020	10
Festival Corner 30X 40X	Z29700030	13
Fest HEX 120 Degree Corner	Z29700035	14
Festival Side Fitting 10X 15X	Z29700040	6
Fest Jumbo Side Fitting 20X	Z29700050	12
Festival Jumbo Sp Tee 30X 40X	Z29700060	14
Festival Intermediate	Z29700070	15
Festival Jumbo Cross Tee	Z29700080	13
Festival Cable 10X	Z29700090	3
Festival Cable 10X15	Z29700095	3
Festival Cable 15X 30X	Z29700100	4
Festival Cable 20x15	Z29700110	4
Festival Cable 20X 40X	Z29700120	5
Fest. 30x HEX Cable(29'-1.5")	Z29700129	6
Festival 30' Cross Cable	Z29700130	6
Festival 40' Cross Cable	Z29700140	7
Festival Aerial Mast 10X	Z29700150	27
Festival Aerial Mast 15X	Z29700160	33
Festival Aerial Mast 20X	Z29700170	41
Festival Aerial Mast 30X	Z29700180	47
Festival Aerial Mast 40X	Z29700190	56
Festival Fabric Tool	Z29700250	2
Festival Rope Tensioner 10x15x	Z29700260	0
Fest Ratchet Tensioner20/30/40	Z29700270	1
Fest Jumbo Slide Rafter Ftg.	Z29700280	5
Fest Jumbo Pipe Clamp	Z29700290	4
Mid-Span Tensioner	Z299F00210	2
Qwik Footplate	Z299F00200	4
2' Adjustable Qwik Baseplate	Z299F00180	8
Fest Footplate 20/30/40	Z29700300	5
Festival 2' Adj. Footplate	Z29700310	13
10' Festival Gutter	Z29700320	5
15' Festival Gutter	Z29700330	6
20' Festival Gutter	Z29700340	9
Fest Cable Truss Assembly 40x	Z29700350	12
Festival Mast Flag Black	Z29700360BK	1
Festival Mast Flag Blue	Z29700360BL	1
Festival Mast Flag Green	Z29700360GR	1
Festival Mast Flag Red	Z29700360RD	1
Festival Mast Flag White	Z29700360WH	1
Festival Mast Flag Yellow	Z29700360YL	1
Festival Bottom Mast Cap	Z29700370	1
Festival Mast Bottom w/Wheel	Z29700380	7
Festival Mast Top Pin	Z29700390	6
Acadapin/Assembly Pin	Z299F00160	0.1
Jumbo Pin	Z299F00170	0.1
7' 8" - 2" Pipe	Z299P20708	7
9' 4" - 2" Pipe	Z299P20904	8
10' 6" - 2" Pipe	Z299P21006	10
14' 4" - 2" Pipe	Z299P21404	13
7' 8" - Jumbo Pipe	Z299PJ0708	14
9' 4" - Jumbo Pipe	Z299PJ0904	18
14' 4" - Jumbo Pipe	Z299PJ1404	27
19' 4" - Jumbo Pipe	Z299PJ1904	36

Parts Images



Festival Corner 10x/15x



Festival Corner 20x



Festival Corner 30x/40x



Festival Side Fitting 10x/15x



Jumbo Festival Side Fitting 20x



Jumbo Special Tee 30x/40x



Festival Intermediate



Festival Jumbo Cross Tee



Qwik Footplate 10x/15x



Festival Footplate 20x/30x/40x



Midspan Tensioner



Festival Tool



Jumbo Slide Rafter Fitting



Jumbo Pipe Clamp



Cable Truss Assembly 40x



Aerial Mast (Specify Size)



Cross Cable (Specify 30x or 40x)



Festival Cable (Specify Size)



Ratchet & Rope Tensioner



Jumbo Pin

If YOU can IMAGINE it... WE can BUILD it

www.aztectents.com

Aztec Tents

2665 Columbia Street
Torrance, CA 90503
Toll Free (800) 228-3687
Fax (310) 381-0722